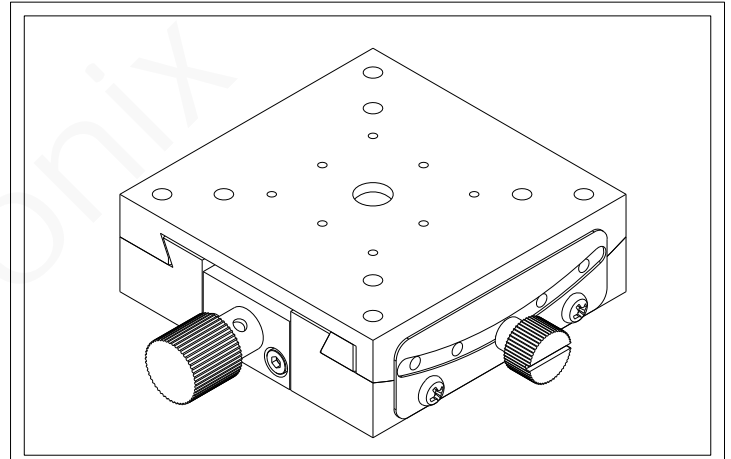


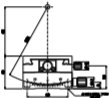
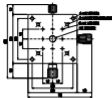
Email:sales01@dck-gd.com



Model	JT1-6060
Surface Size	60x60mm
Rotation Center	60mm
Travel Range	±15°
Minimum Reading of Vernier	0.1°/Vernier
Rotation Angle	1.30°
Travel Guide	Dovetail,Worm & Gear
Load Capacity	5.0Kgf
Weight	0.25Kg
Material	Aluminum
Finish Treatment	Black Anodizing

JT1 - 6060R

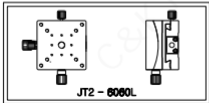
sales01@dck-gd.com
 东莞市诚錕五金电子科技有限公司



Email:sales01@dck-gd.com



Model	JT2-6060
Table Size	60x60mm
Rotation Center	60mm
Travel Range	Tx: ±10°, Ty: ±15°
Minimum Reading of Vernier	0.1"/Vernier
Rotation Angle	Tx: 1.00°, Ty: 1.30°
Travel Guide	Dovetail, Worm & Gear
Load Capacity	4.8Kgf
Weight	0.50Kg
Material	Aluminum
Finish Treatment	Black Anodizing



JT2 - 6060L



JT2 - 6060R

SHANGHAI DCK OPTICAL INSTRUMENTS CO., LTD.