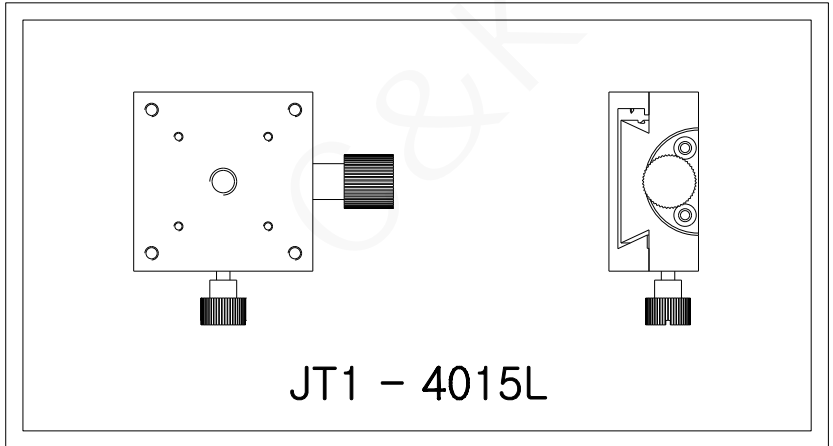
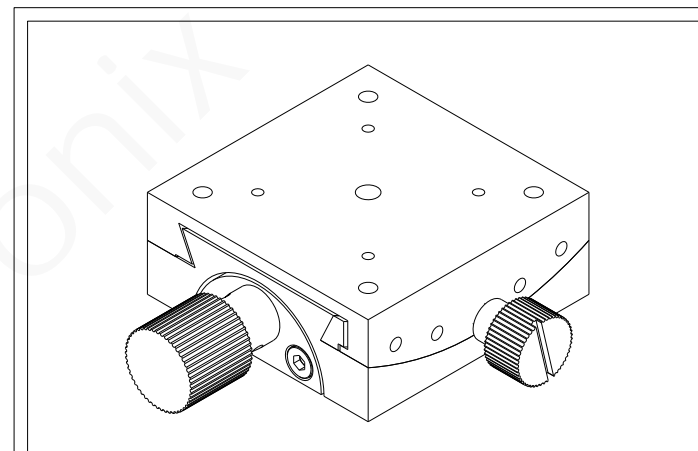
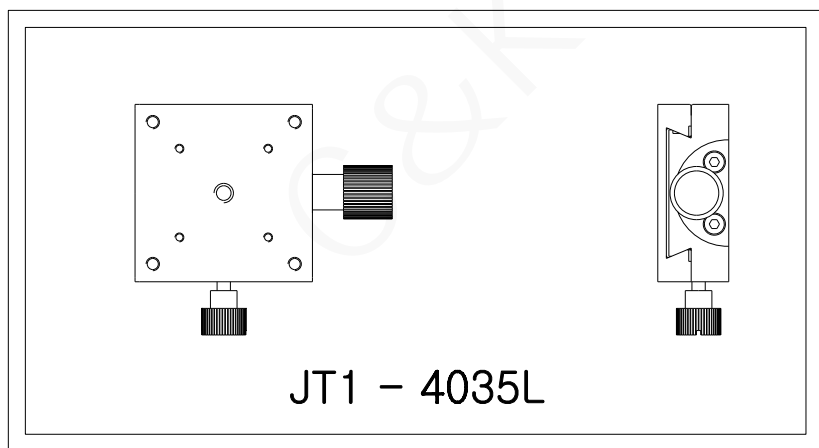
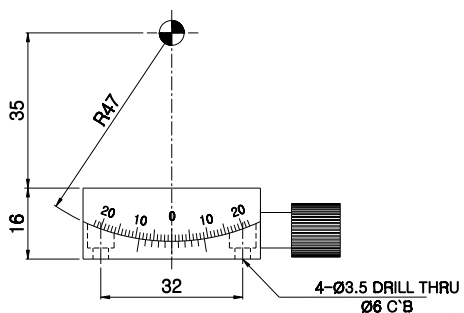
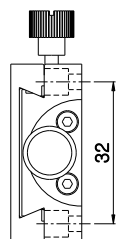
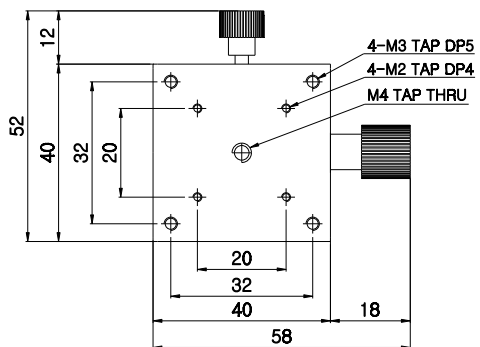


Model	JT1-4015
Surface Size	40x40mm
Rotation Center	15mm
Travel Range	±20°
Minimum Reading of Vernier	0.1°/Vernier
Rotation Angle	3.53°
Travel Guide	Dovetail, Worm & Gear
Load Capacity	3.0Kgf
Weight	0.25Kg
Material	Aluminum
Finish Treatment	Black Anodizing



sales01@dck-gd.com

JT1 - 4015R
东莞市诚鲲五金电子科技有限公司

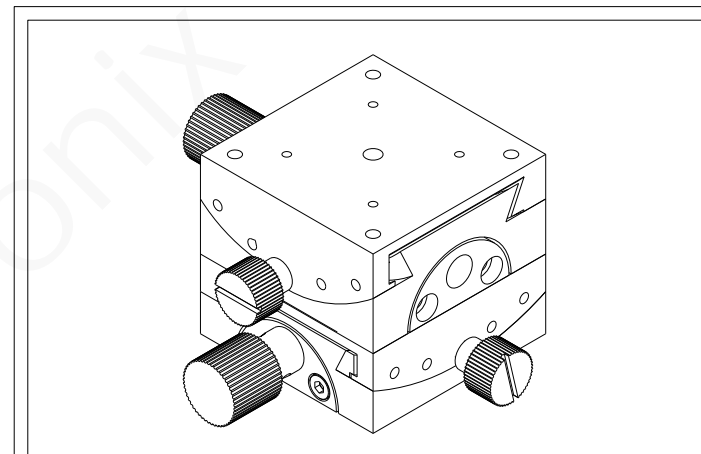
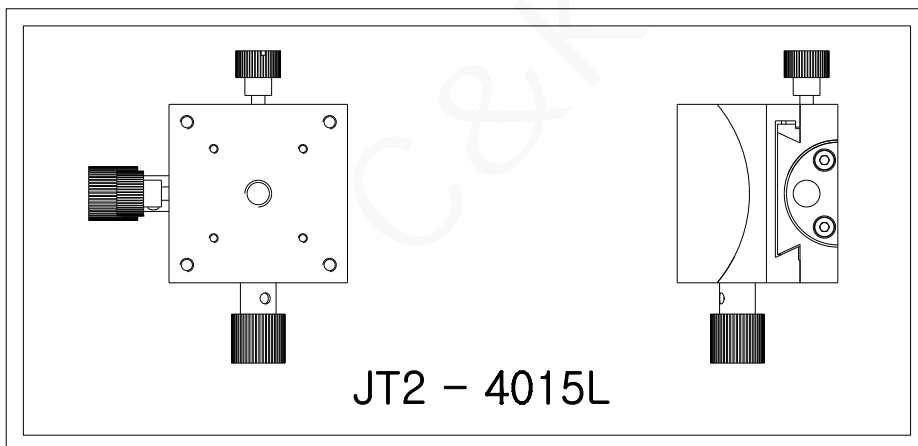
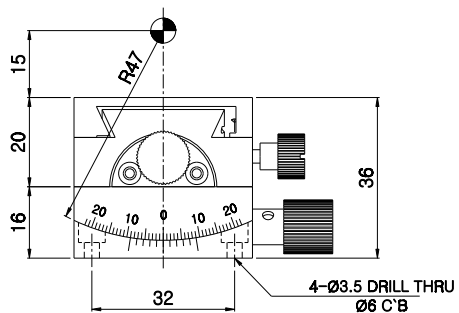
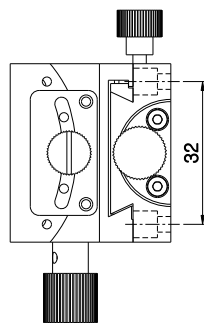
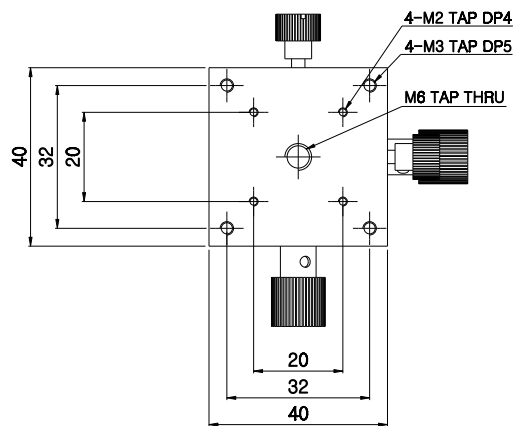


Model	JT1-4035
Surface Size	40x40mm
Rotation Center	35mm
Travel Range	±20°
Minimum Reading of Vernier	0.1°/Vernier
Rotation Angle	2.19°
Travel Guide	Dovetail, Worm & Gear
Load Capacity	3.0Kgf
Weight	0.24Kg
Material	Aluminum
Finish Treatment	Black Anodizing

sales01@dck-gd.com

JT1 - 4035R

东莞市诚鲲五金电子科技有限公司



Model	JT2-4015
Surface Size	40x40mm
Rotation Center	15mm
Travel Range	TX: ±20°, TY: ±20°
Minimum Reading of Vernier	0.1°/Vernier
Rotation Angle	TX: 3.53°, TY: 2.19°
Travel Guide	Dovetail, Worm & Gear
Load Capacity	2.5Kgf
Weight	0.5Kg
Material	Aluminum
Finish Treatment	Black Anodizing

sales01@dck-gd.com

JT2 - 4015R

东莞市诚鲲五金电子科技有限公司