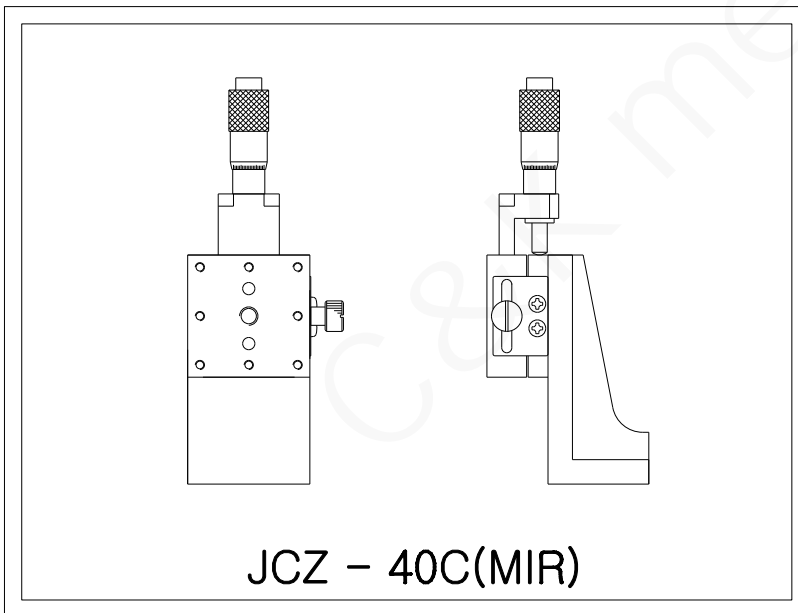
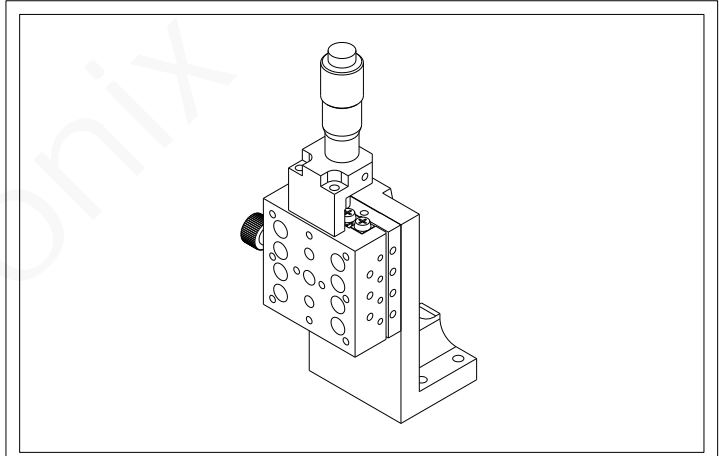
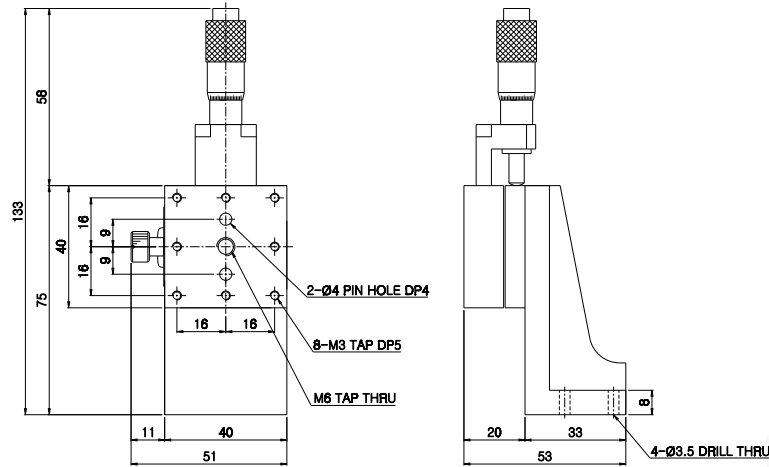
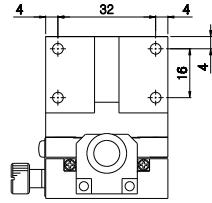


Email:sales01@dck-gd.com



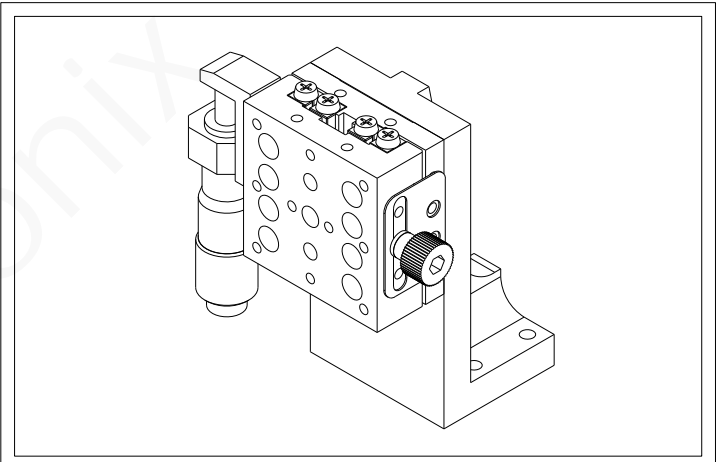
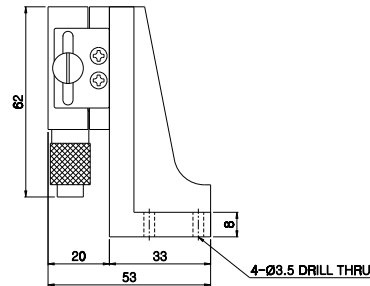
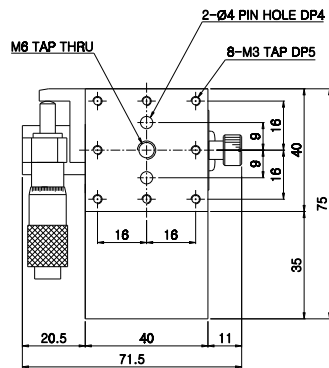
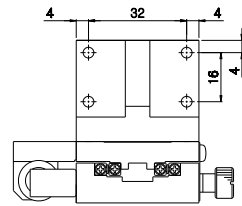
JCZ - 40C(MIR)

Model	JCZ-40C
Surface Size	40x40mm
Position of Micrometer Head	Center
Travel Range	±6.5mm
Minimum Reading of Micrometer	10um
Guide Type	Crossed Roller Guide
Load Capacity	1.5Kgf
Parallelism	80um
Driving Parallelism	30um
Weight	0.20Kg
Material	Aluminum
Finish Treatment	Black Anodizing

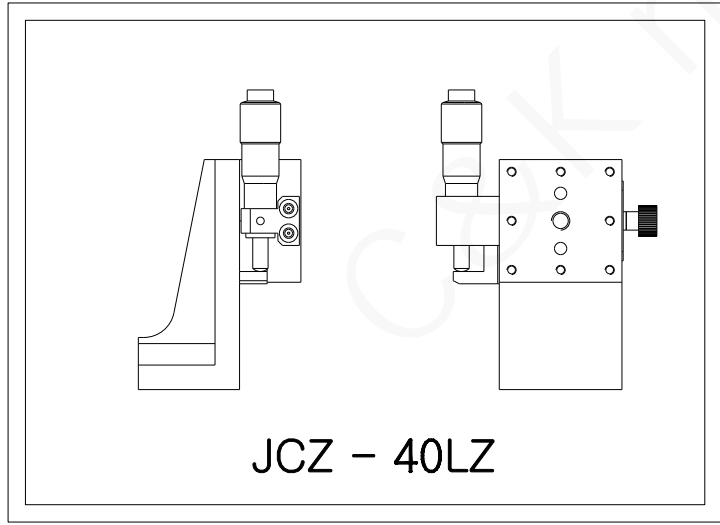
JCZ - 40C

东莞市诚鲲五金电子科技有限公司
Email:sales01@dck-gd.com

Email:sales01@dck-gd.com

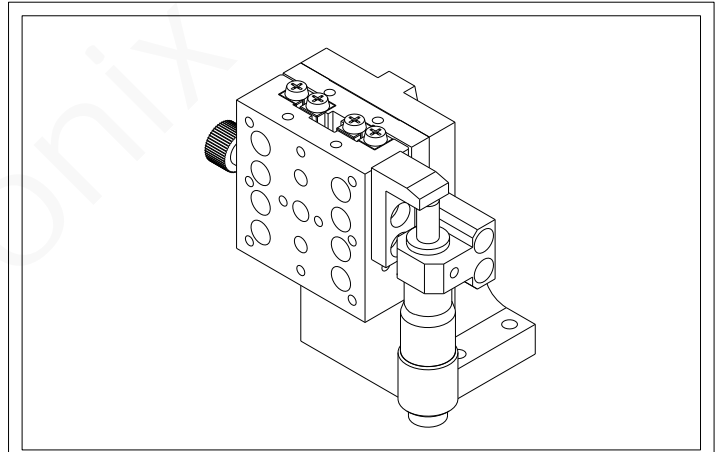
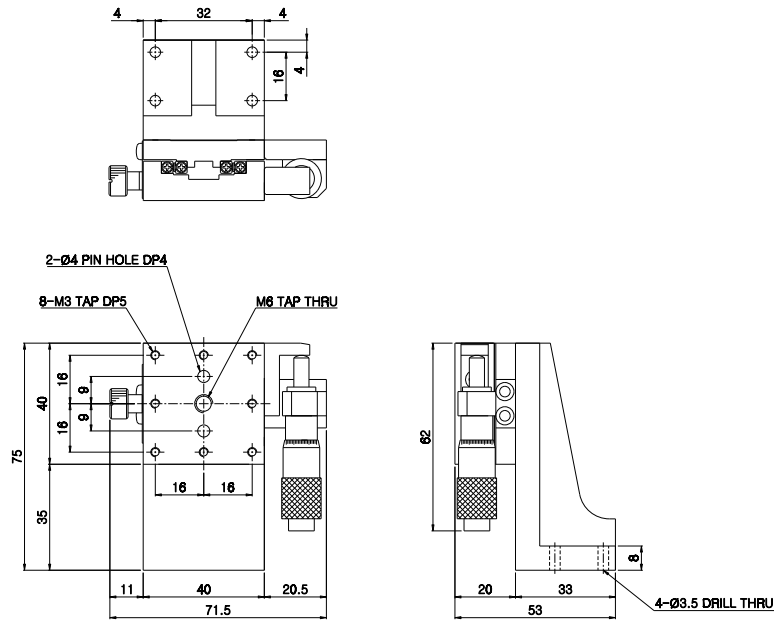


Model	JCZ-40L
Surface Size	40x40mm
Position of Micrometer Head	Left
Travel Range	±6.5mm
Minimum Reading of Micrometer	10um
Guide Type	Crossed Roller Guide
Load Capacity	1.5Kgf
Parallelism	80um
Driving Parallelism	30um
Weight	0.21Kg
Material	Aluminum
Finish Treatment	Black Anodizing

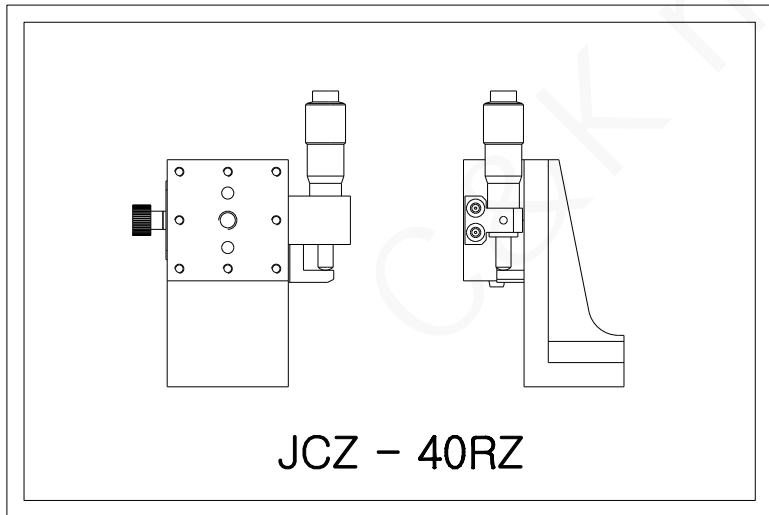


JCZ - 40L
 东莞市诚鲲五金电子科技有限公司
 Email:sales01@dck-gd.com

Email:sales01@dck-gd.com



Model	JCZ-40R
Surface Size	40x40mm
Position of Micrometer Head	Right
Travel Range	±6.5mm
Minimum Reading of Micrometer	10um
Guide Type	Crossed Roller Guide
Load Capacity	1.5Kgf
Parallelism	80um
Driving Parallelism	30um
Weight	0.21Kg
Material	Aluminum
Finish Treatment	Black Anodizing



JCZ - 40R
 东莞市诚鲲五金电子科技有限公司
 Email:sales01@dck-gd.com