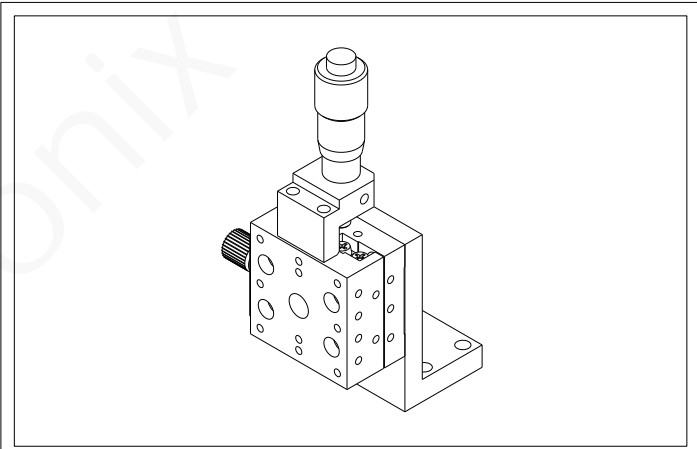
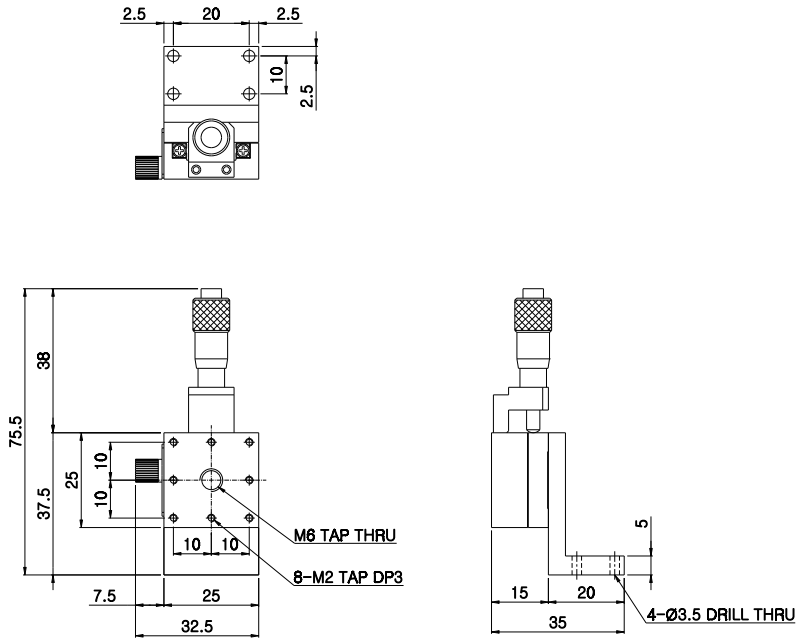
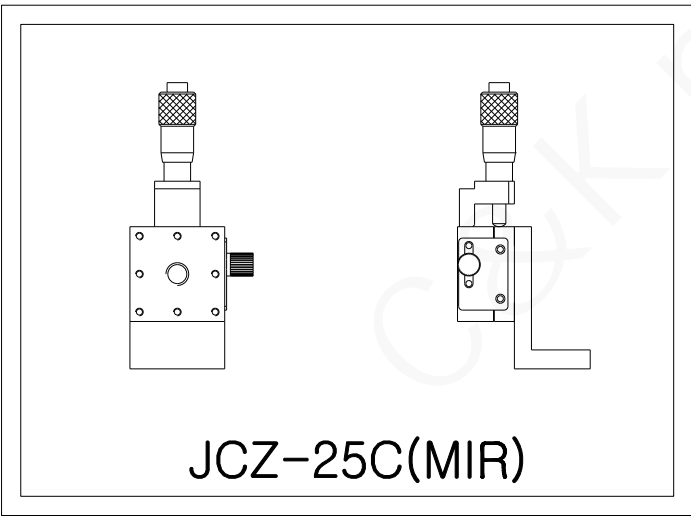


Email:sales01@dck-gd.com



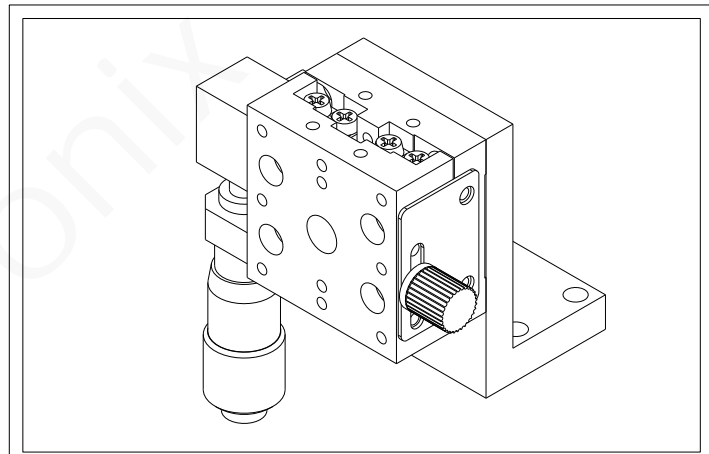
Model	JCZ-25C
Surface Size	25x25mm
Position of Micrometer Head	Center
Travel Range	±3.25mm
Minimum Reading of Micrometer	10um
Guide Type	Crossed Roller Guide
Load Capacity	0.5Kgf
Parallelism	50um
Driving Parallelism	20um
Weight	0.06Kg
Material	Aluminum
Finish Treatment	Black Anodizing



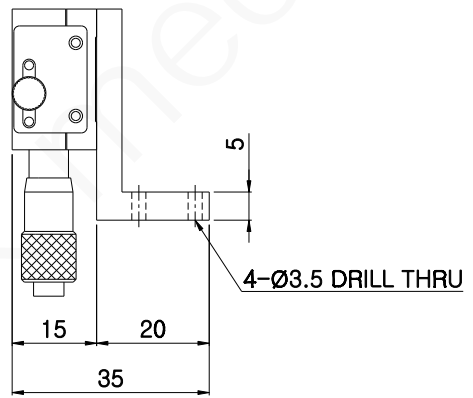
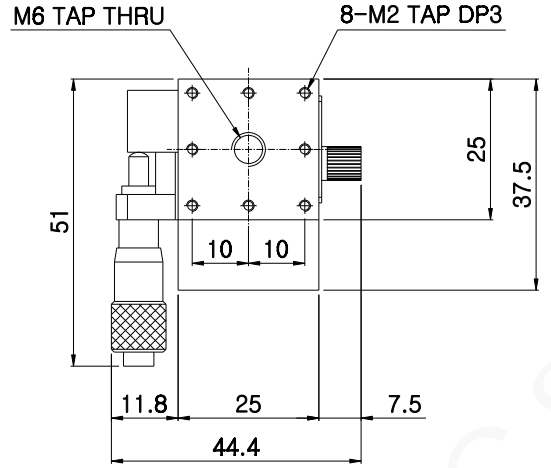
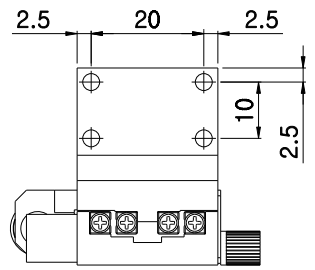
JCZ-25C(MIR)

JCZ - 25C
 东莞市诚鲲五金电子科技有限公司

Email:sales01@dck-gd.com

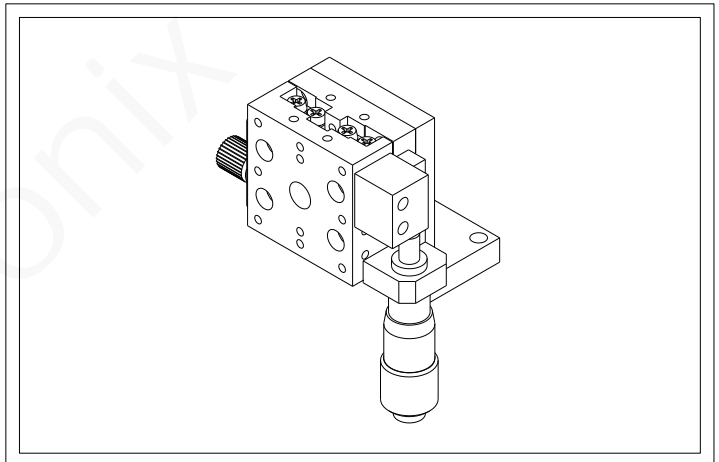


Model	JCZ-25L
Surface Size	25x25mm
Position of Micrometer Head	Left
Travel Range	±3.25mm
Minimum Reading of Micrometer	10um
Guide Type	Crossed Roller Guide
Load Capacity	0.5Kgf
Parallelism	50um
Driving Parallelism	20um
Weight	0.06Kg
Material	Aluminum
Finish Treatment	Black Anodizing

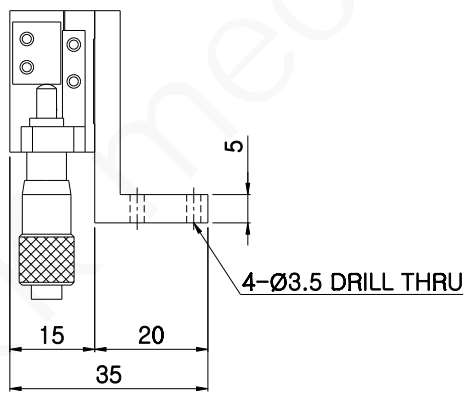
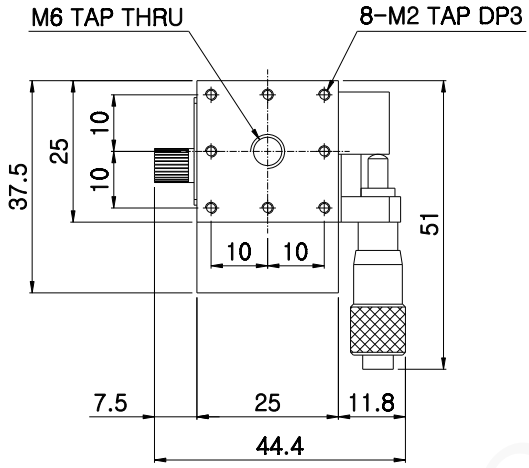
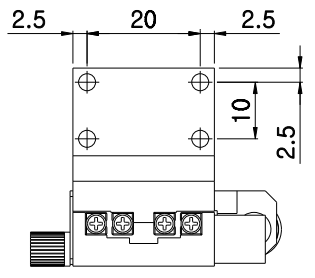


JCZ - 25L

Email:sales01@dck-gd.com



Model	JCZ-25R
Surface Size	25x25mm
Position of Micrometer Head	Right
Travel Range	±3.25mm
Minimum Reading of Micrometer	10um
Guide Type	Crossed Roller Guide
Load Capacity	0.5Kgf
Parallelism	50um
Driving Parallelism	20um
Weight	0.06Kg
Material	Aluminum
Finish Treatment	Black Anodizing



JCZ - 25R
 东莞市诚鲲五金电子科技有限公司