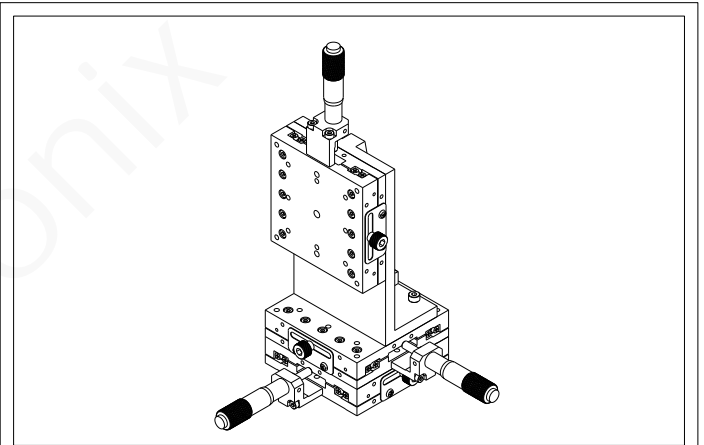
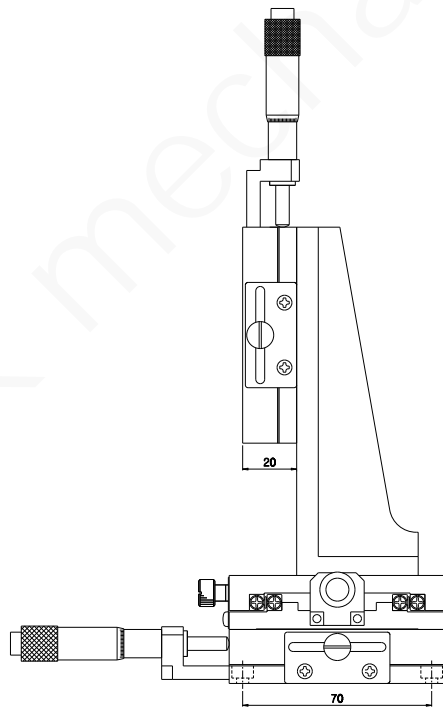
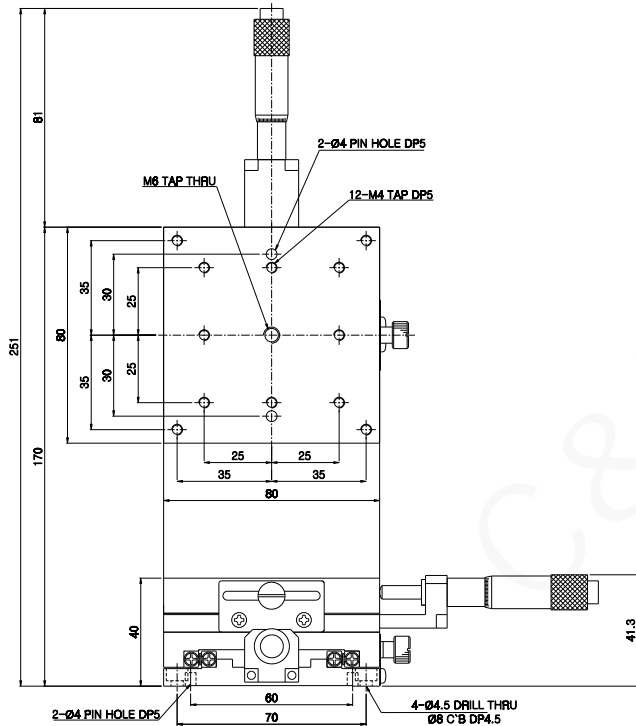
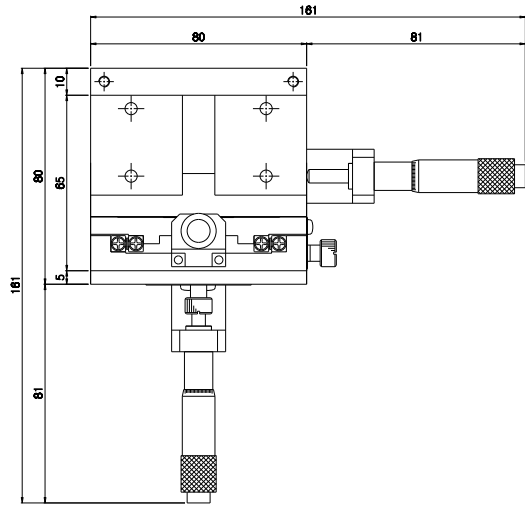


Email : sales01@dck-gd.com

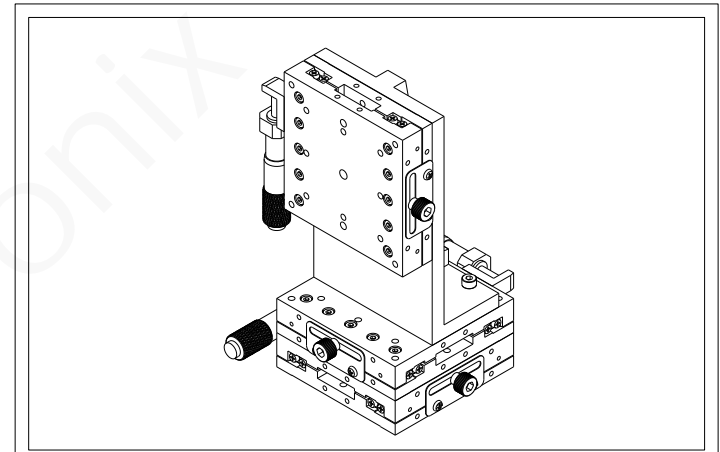
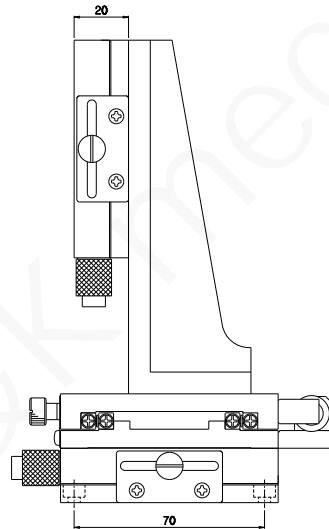
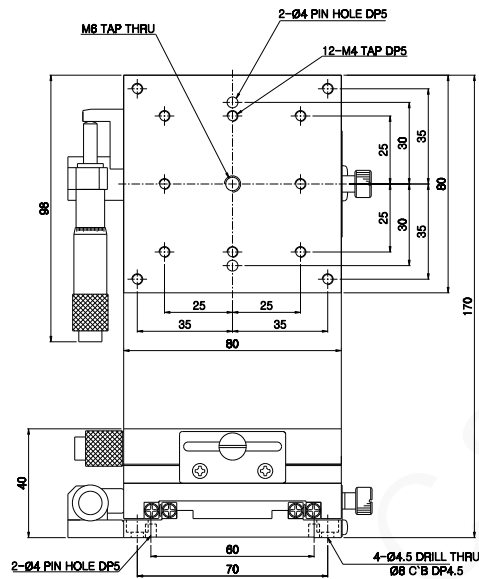
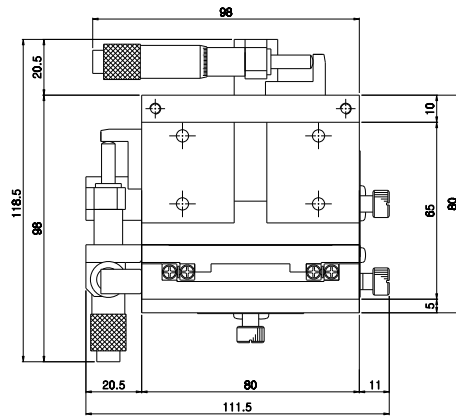


Model	JCXYZ-80C-25
Surface Size	80x80mm
Position of Micrometer Head	Center
Travel Range	±12.5mm
Minimum Reading of Micrometer	10um
Guide Type	Crossed Roller Guide
Load Capacity	5.0Kgf
Parallelism	120um
Driving Parallelism	40um
Weight	1.51Kg
Material	Aluminum
Finish Treatment	Black Anodizing

JCXYZ - 80C - 25
 东莞市诚鲲五金电子科技有限公司



Email : sales01@dck-gd.com

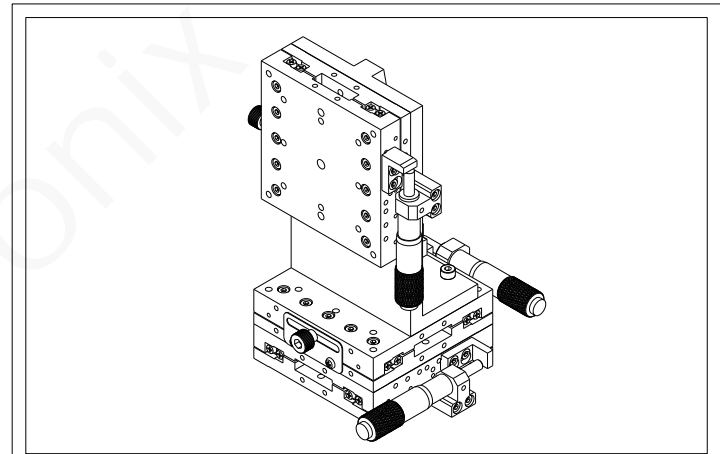
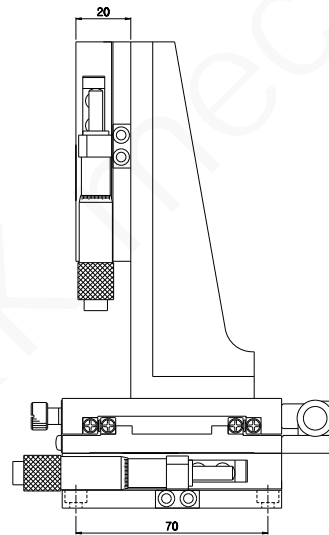
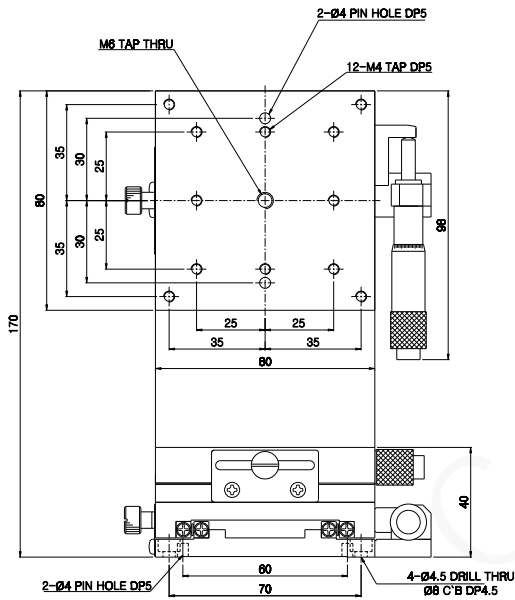
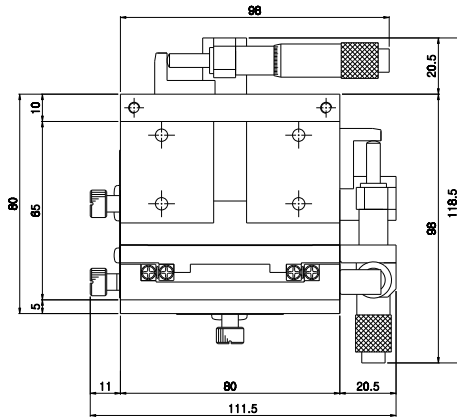


Model	JCXYZ-80L-25
Surface Size	80x80mm
Position of Micrometer Head	Left
Travel Range	±12.5mm
Minimum Reading of Micrometer	10um
Guide Type	Crossed Roller Guide
Load Capacity	5.0Kgf
Parallelism	120um
Driving Parallelism	40um
Weight	1.51Kg
Material	Aluminum
Finish Treatment	Black Anodizing

JCXYZ - 80L - 25

东莞市诚鲲五金电子科技有限公司

Email : sales01@dck-gd.com



Model	JCXYZ-80R-25
Surface Size	80x80mm
Position of Micrometer Head	Right
Travel Range	±12.5mm
Minimum Reading of Micrometer	10um
Guide Type	Crossed Roller Guide
Load Capacity	5.0Kgf
Parallelism	120um
Driving Parallelism	40um
Weight	1.51Kg
Material	Aluminum
Finish Treatment	Black Anodizing

JCXYZ - 80R - 25

东莞市诚鲲五金电子科技有限公司