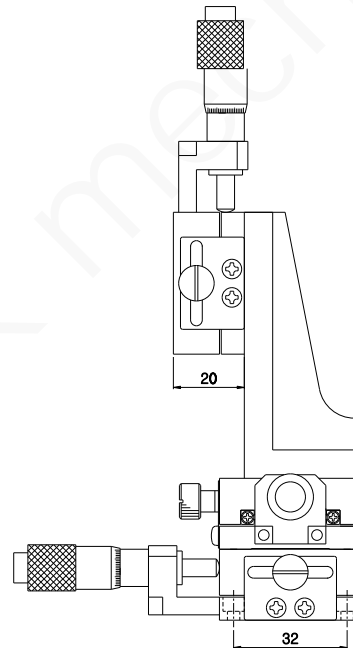
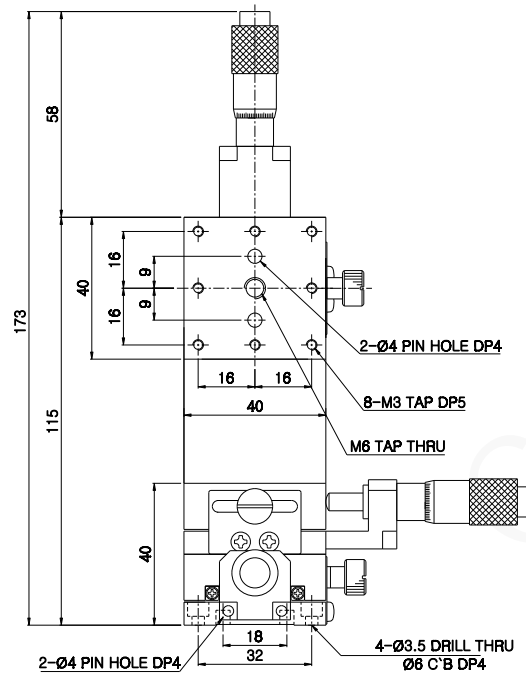
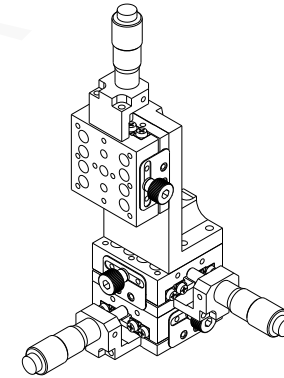
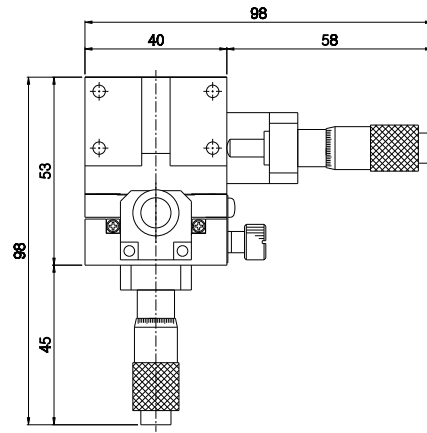


Email : sales01@dck-gd.com

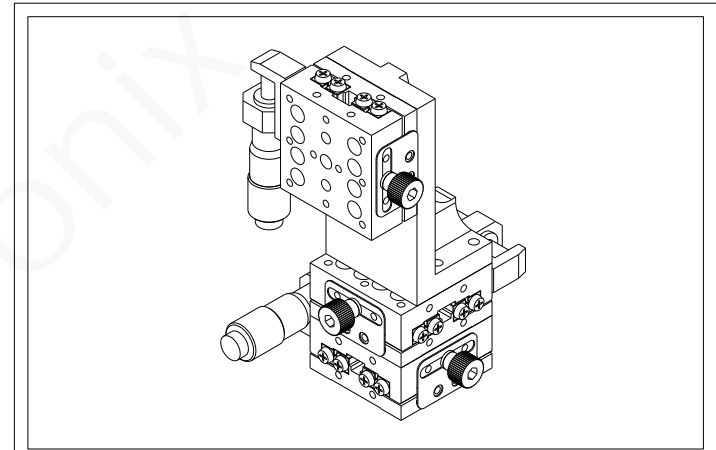
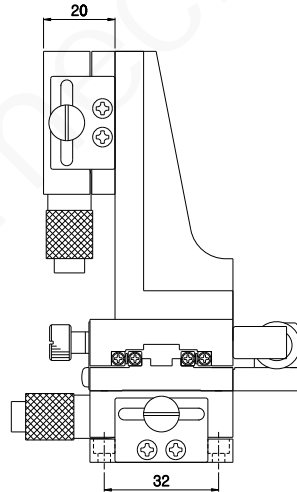
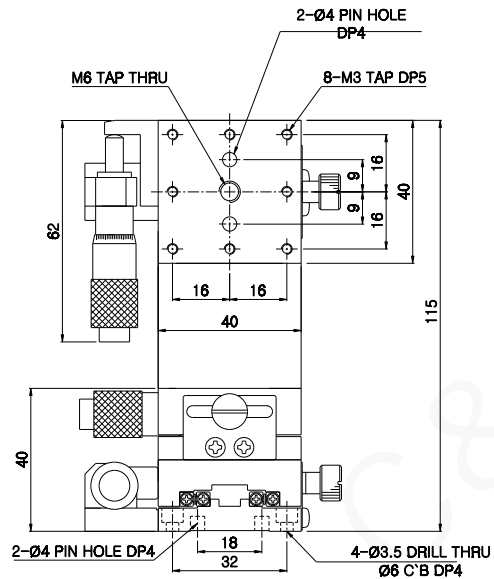
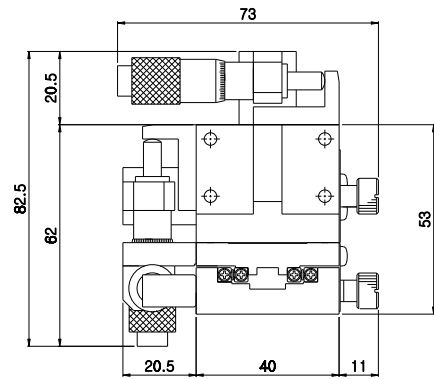


Model	JCXYZ-40C
Surface Size	40x40mm
Position of Micrometer Head	Center
Travel Range	±6.5mm
Minimum Reading of Micrometer	10um
Guide Type	Crossed Roller Guide
Load Capacity	1.5Kgf
Parallelism	90um
Driving Parallelism	30um
Weight	0.45Kg
Material	Aluminum
Finish Treatment	Black Anodizing

JCXYZ - 40C

东莞市诚麒五金电子科技有限公司

Email : sales01@dck-gd.com

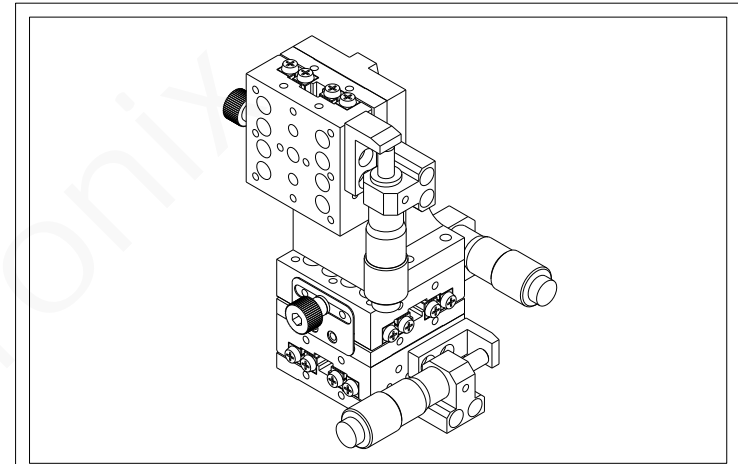
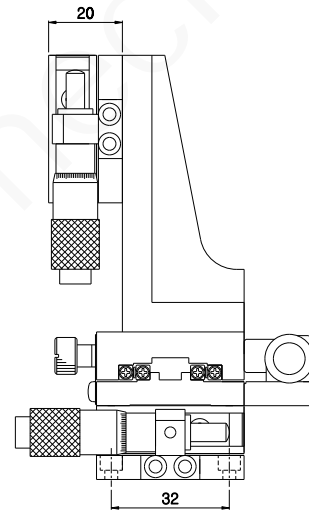
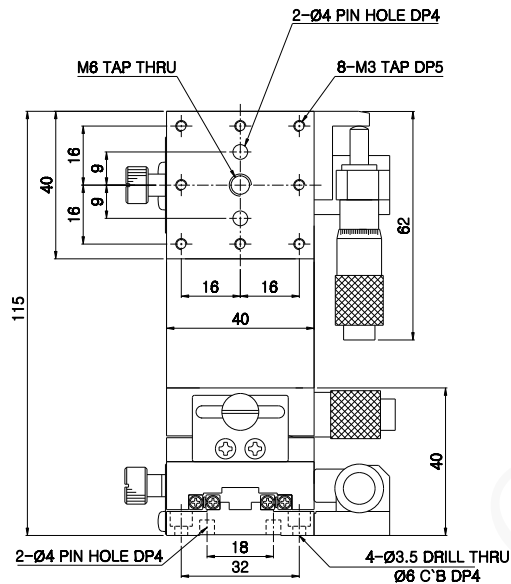
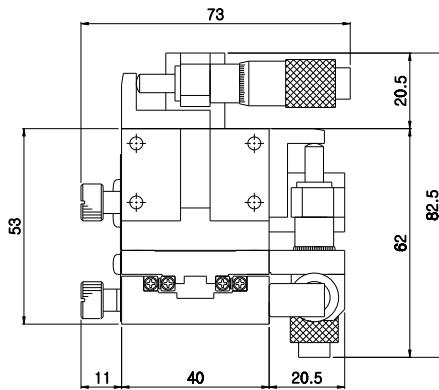


Model	JCXYZ-40L
Surface Size	40x40mm
Position of Micrometer Head	Left
Travel Range	±6.5mm
Minimum Reading of Micrometer	10um
Guide Type	Crossed Roller Guide
Load Capacity	1.5Kgf
Parallelism	90um
Driving Parallelism	30um
Weight	0.48Kg
Material	Aluminum
Finish Treatment	Black Anodizing

JCXYZ - 40L

东莞市诚顺五金电子科技有限公司

Email : sales01@dck-gd.com



Model	JCXYZ-40R
Surface Size	40x40mm
Position of Micrometer Head	Right
Travel Range	±6.5mm
Minimum Reading of Micrometer	10um
Guide Type	Crossed Roller Guide
Load Capacity	1.5Kgf
Parallelism	90um
Driving Parallelism	30um
Weight	0.48Kg
Material	Aluminum
Finish Treatment	Black Anodizing

JCXYZ - 40R

东莞市诚颯五金电子科技有限公司