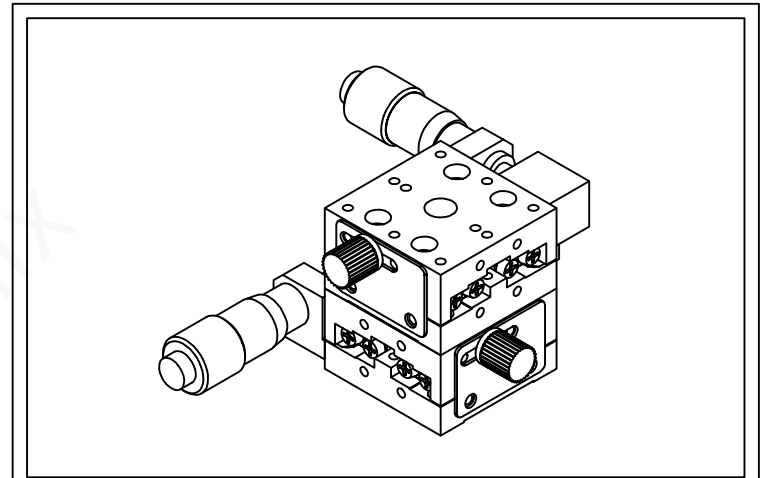
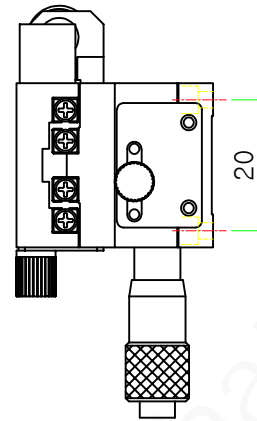
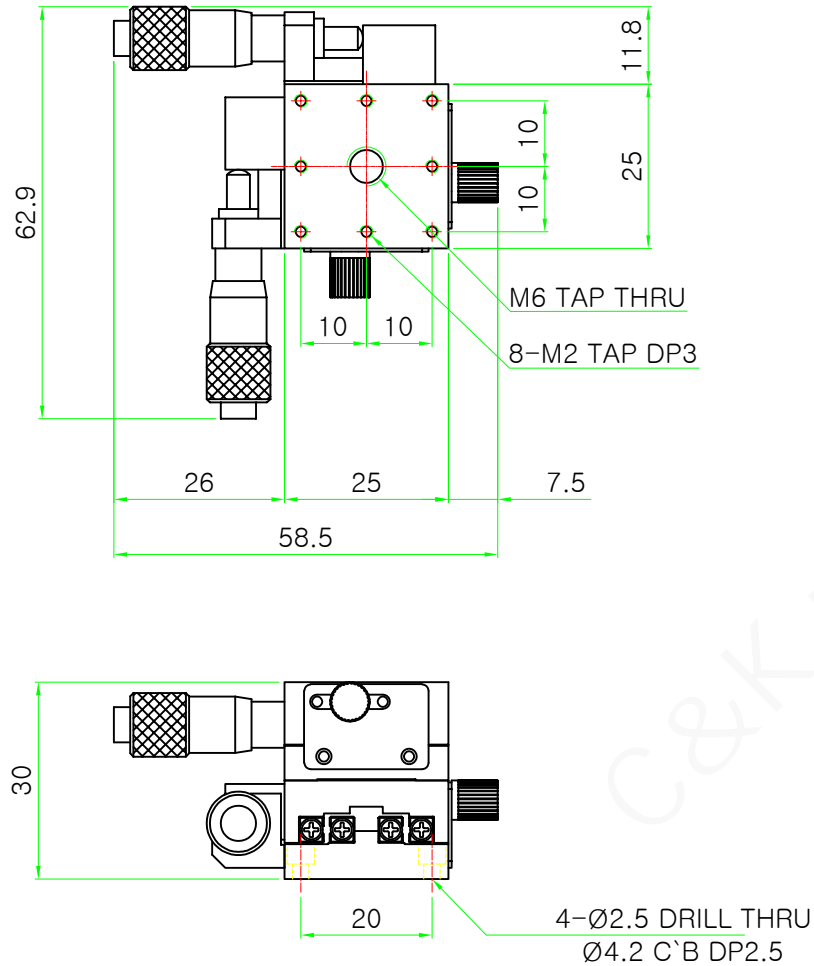


Email : sales01@dck-gd.com



Model	JCXY-25L
Surface Size	25x25mm
Position of Micrometer Head	Left
Travel Range	±3.25mm
Minimum Reading of Micrometer	10um
Guide Type	Crossed Roller Guide
Load Capacity	0.95Kgf
Parallelism	60um
Driving Parallelism	20um
Weight	0.08Kg
Material	Aluminum
Finish Treatment	Black Anodizing

JCXY - 25L