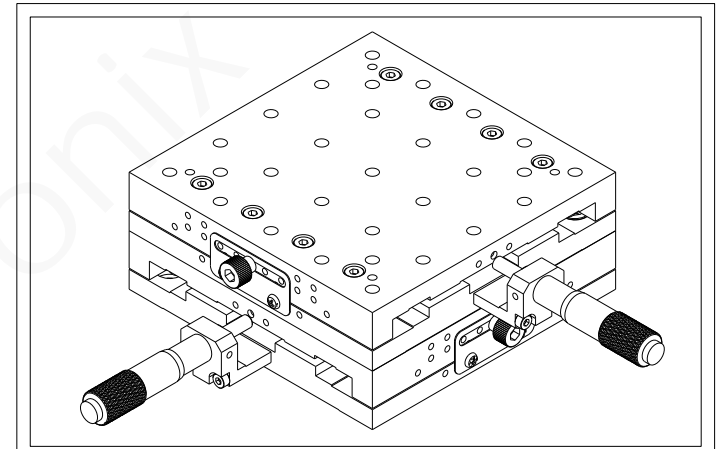
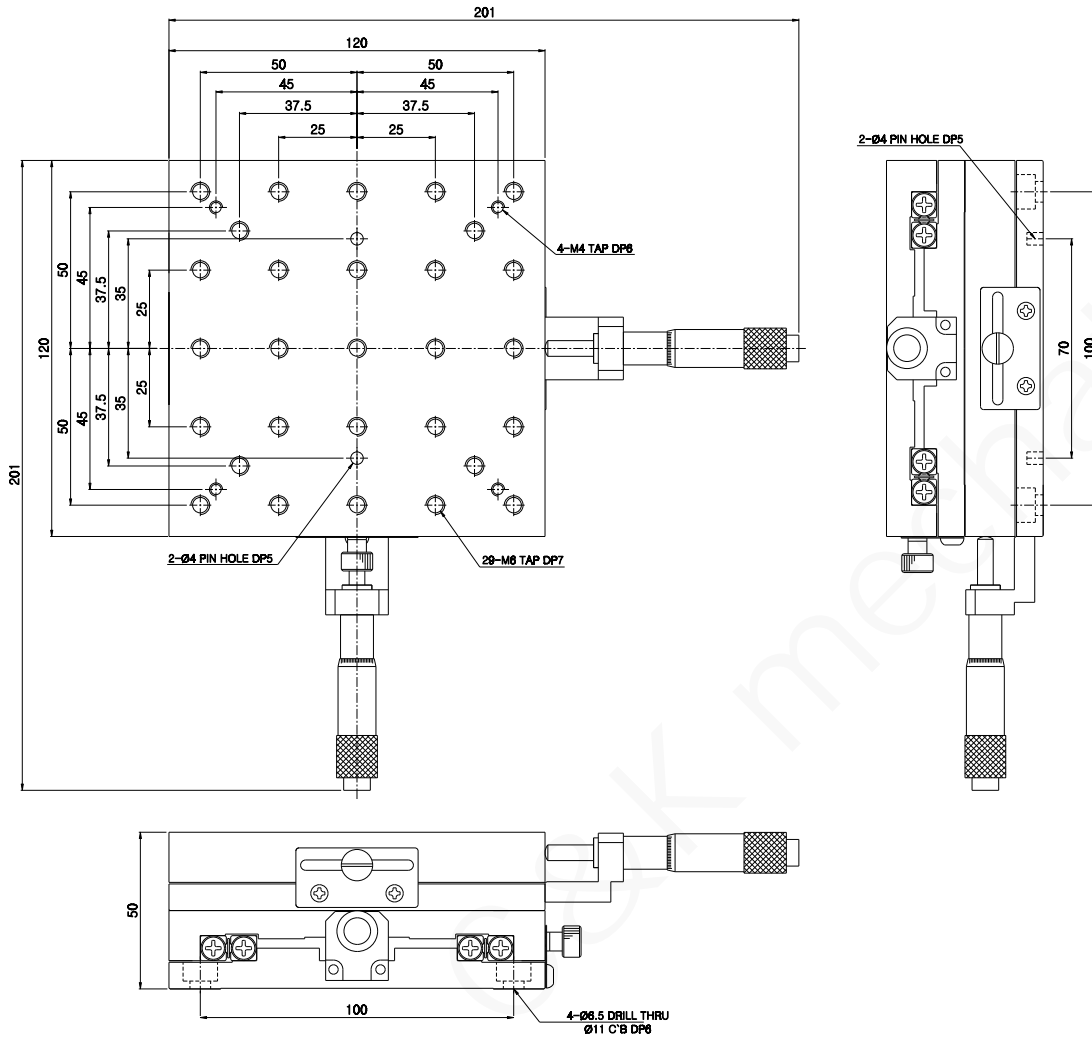


Email:sales01@dck-gd.com

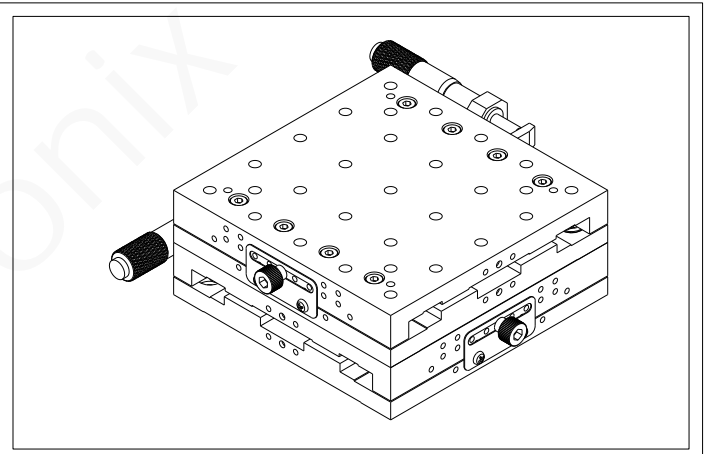
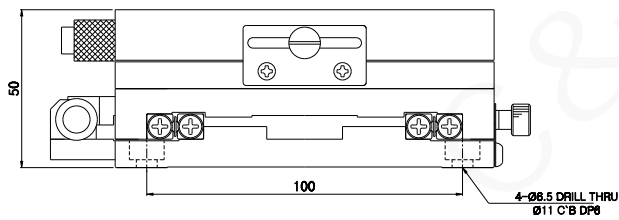
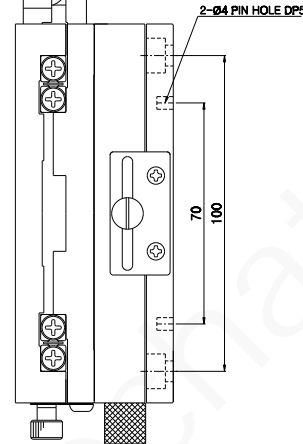
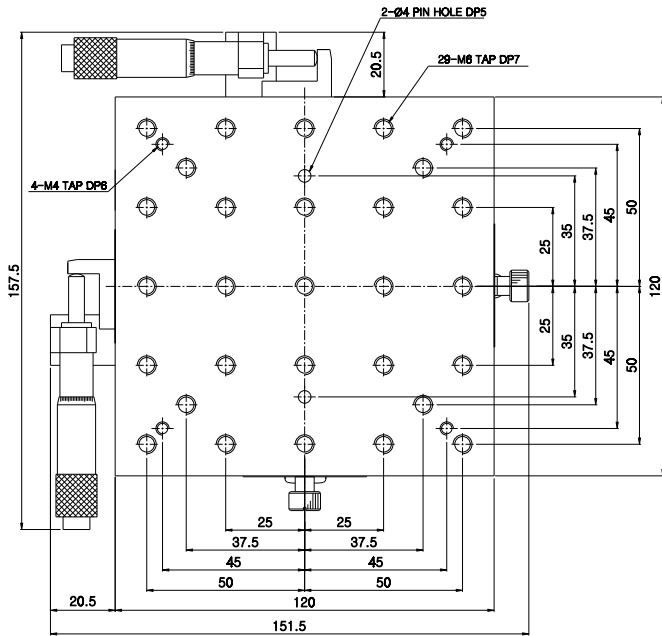


Model	JCXY-120C-25
Surface Size	120x120mm
Position of Micrometer Head	Center
Travel Range	±12.5mm
Minimum Reading of Micrometer	10um
Guide Type	Crossed Roller Guide
Load Capacity	18.5Kgf
Parallelism	100um
Driving Parallelism	40um
Weight	2.52Kg
Material	Aluminum
Finish Treatment	Black Anodizing

JCXY - 120C - 25

东莞市诚鲲五金电子科技有限公司

Email:sales01@dck-gd.com

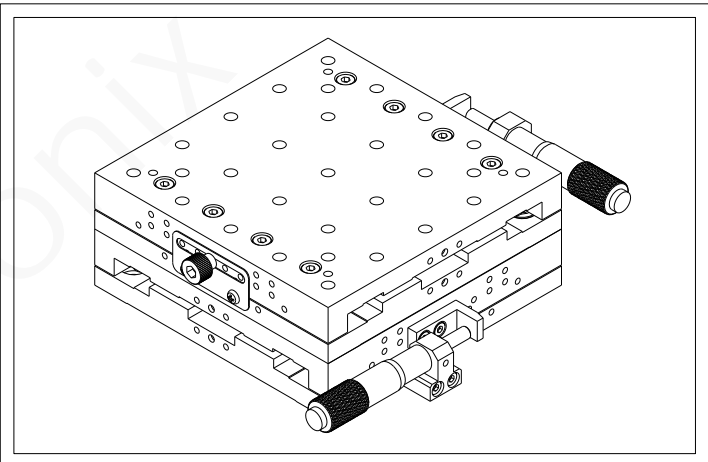


Model	JCXY-120L-25
Surface Size	120x120mm
Position of Micrometer Head	Left
Travel Range	±12.5mm
Minimum Reading of Micrometer	10um
Guide Type	Crossed Roller Guide
Load Capacity	18.5Kgf
Parallelism	100um
Driving Parallelism	40um
Weight	2.6Kg
Material	Aluminum
Finish Treatment	Black Anodizing

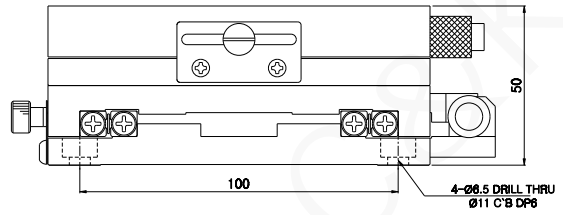
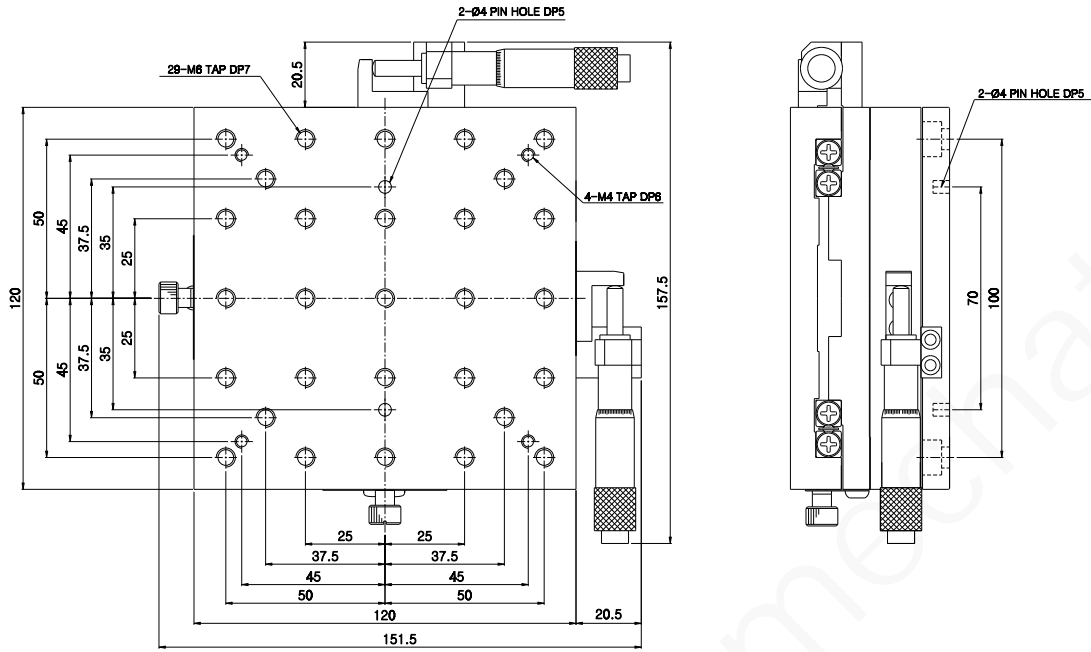
JCXY - 120L - 25

东莞市诚鲲五金电子科技有限公司

Email:sales01@dck-gd.com



Model	JCXY-120R-25
Surface Size	120x120mm
Position of Micrometer Head	Right
Travel Range	±12.5mm
Minimum Reading of Micrometer	10um
Guide Type	Crossed Roller Guide
Load Capacity	18.5Kgf
Parallelism	100um
Driving Parallelism	40um
Weight	2.6Kg
Material	Aluminum
Finish Treatment	Black Anodizing



JCXY - 120R - 25

东莞市诚鲲五金电子科技有限公司