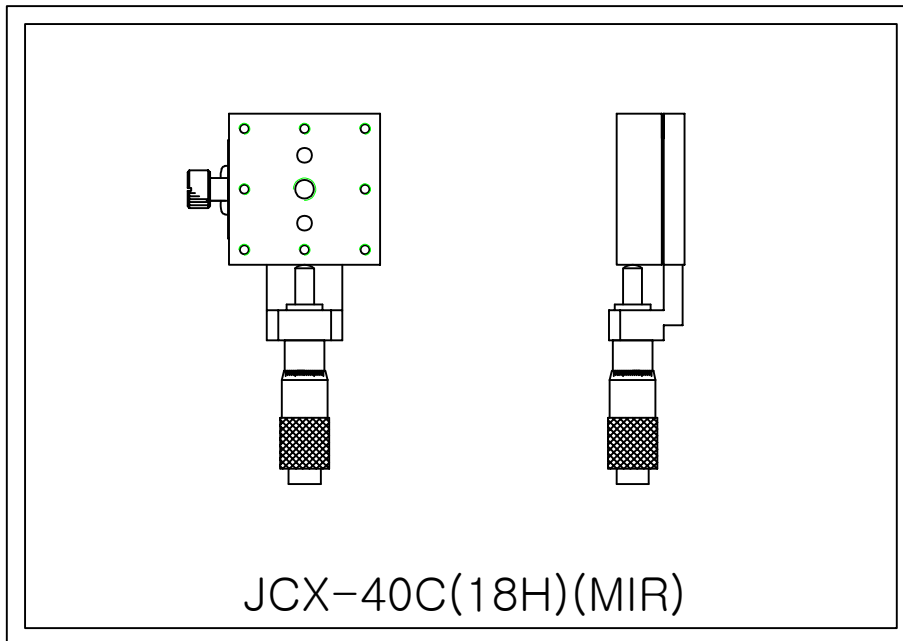


Model	JCX-40C(18H)
Surface Size	40x40mm
Position of Micrometer Head	Center
Travel Range	±6.5mm
Minimum Reading of Micrometer	10um
Guide Type	Crossed Roller Guide
Load Capacity	3Kgf
Parallelism	30um
Driving Parallelism	10um
Weight	0.12Kg
Material	Aluminum
Finish Treatment	Black Anodizing



JCX - 40C(18H)

东莞市诚鲲五金电子科技有限公司