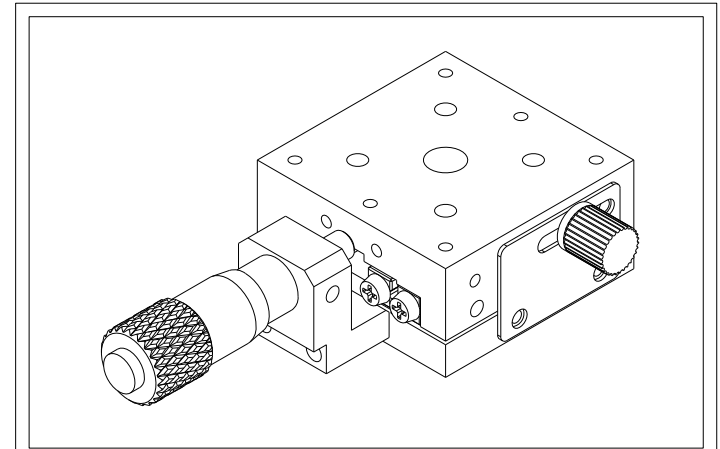


JCX-30C(MIR)



Model	JCX-30C
Surface Size	30x30mm
Position of Micrometer Head	Left
Travel Range	±3.25mm
Minimum Reading of Micrometer	10um
Guide Type	Crossed Roller Guide
Load Capacity	1.2Kgf
Parallelism	30um
Driving Parallelism	10um
Weight	0.07Kg
Material	Aluminum
Finish Treatment	Black Anodizing

JCX - 30C

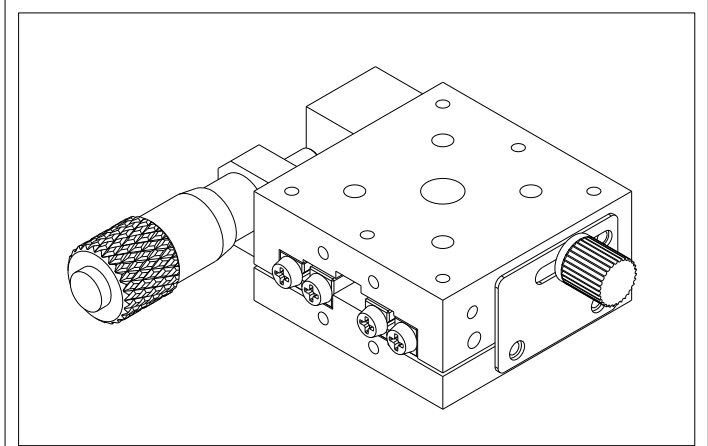
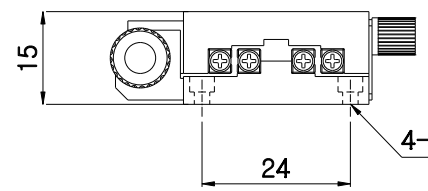
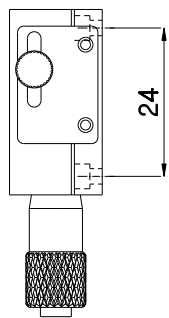
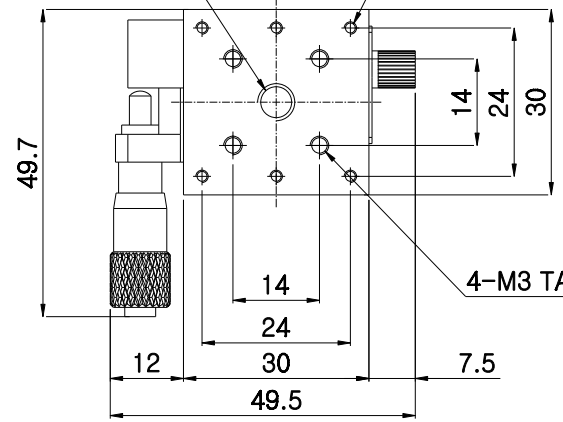
东莞市诚鲲五金电子科技有限公司  
Email:sales01@dck-gd.com

M6 TAP DP6

6-M2 TAP DP5

4-M3 TAP DP5

4-Ø2.5 DRILL THRU  
Ø4 C'B DP2.5



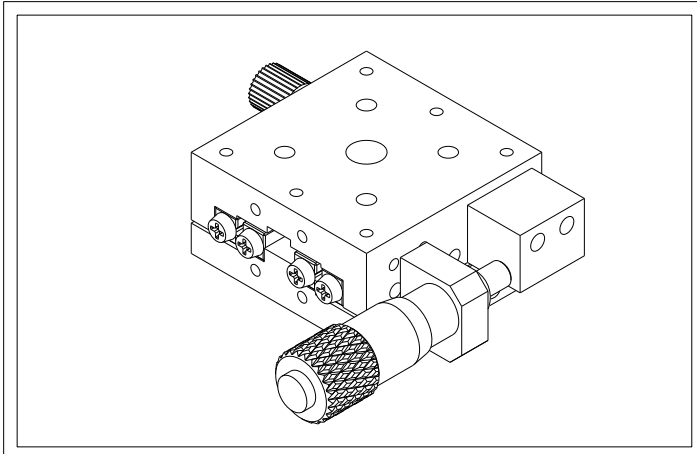
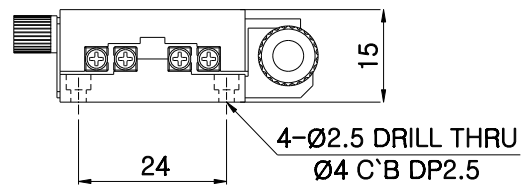
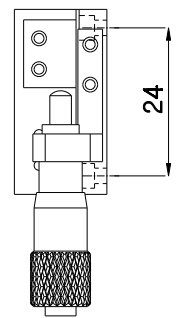
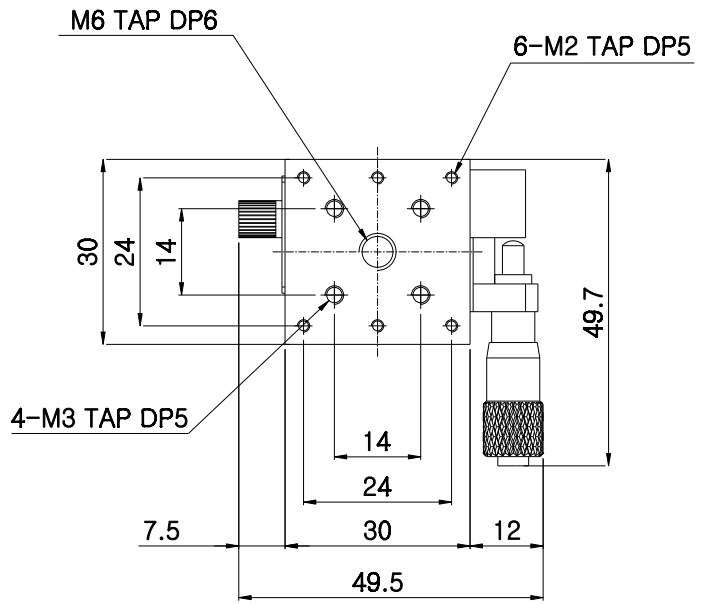
Model	JCX-30L
Surface Size	30x30mm
Position of Micrometer Head	Left
Travel Range	±3.25mm
Minimum Reading of Micrometer	10um
Guide Type	Crossed Roller Guide
Load Capacity	1.2Kgf
Parallelism	30um
Driving Parallelism	10um
Weight	0.07Kg
Material	Aluminum
Finish Treatment	Black Anodizing

JCX - 30L

东莞市诚鲲五金电子科技有限公司  
Email:sales01@dck-gd.com

6 5 4 3 2 1

D  
C  
B  
A



Model	JCX-30R
Surface Size	30x30mm
Position of Micrometer Head	Left
Travel Range	±3.25mm
Minimum Reading of Micrometer	10um
Guide Type	Crossed Roller Guide
Load Capacity	1.2Kgf
Parallelism	30um
Driving Parallelism	10um
Weight	0.07Kg
Material	Aluminum
Finish Treatment	Black Anodizing

6 5 4 3 2 1

**JCX - 30R**  
 东莞市诚鲲五金电子科技有限公司  
 Email:sales01@dck-gd.com