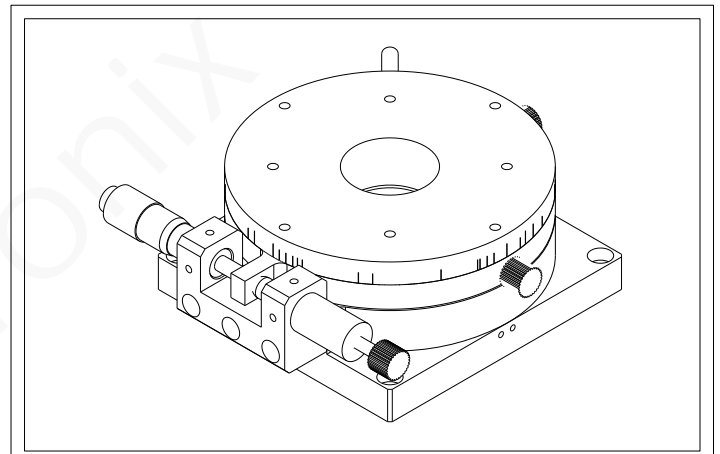
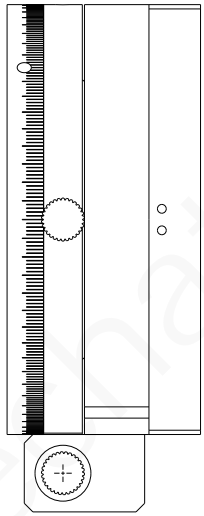
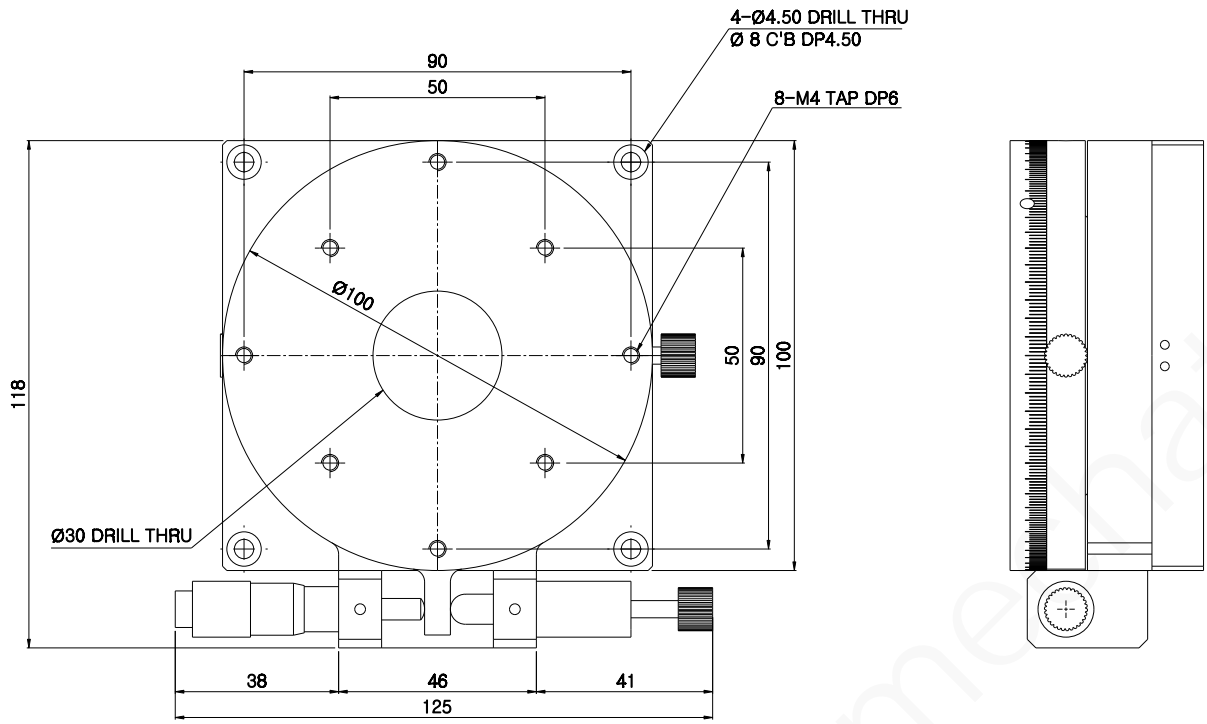
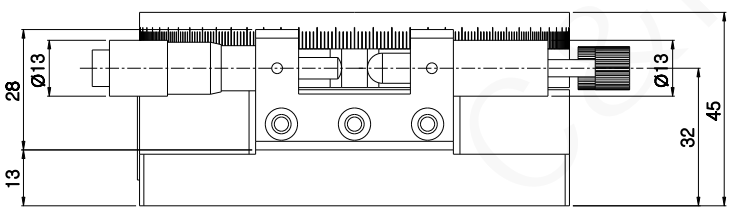


Email:sales01@dck-gd.com

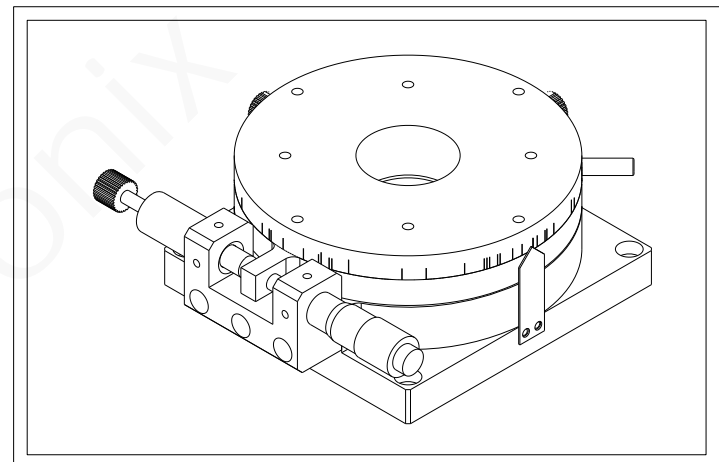
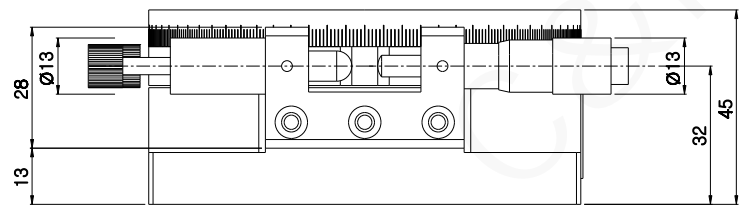
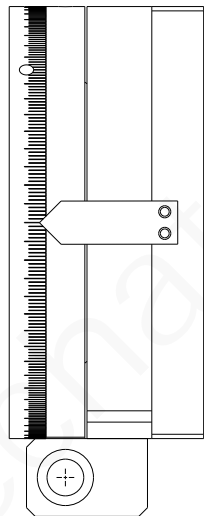
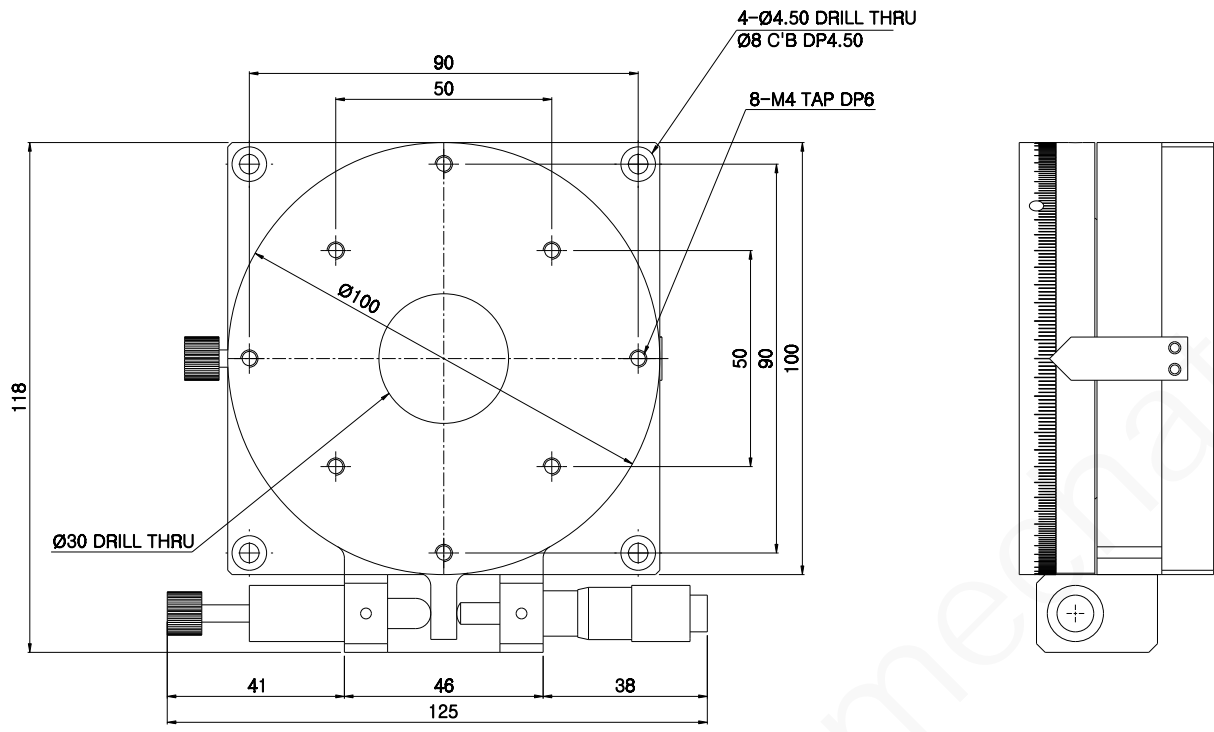


Model	JCRT-100L
Surface Size	Ø 100 mm
Position of Micrometer Head	Left
Travel Range	Coarse: Ø360° Fine: ±5°
Minimum Reading of Micrometer	10um
Readable Resolution	1°
Load Capacity	10.0Kgf
Parallelism	50um
Rotational Concentricity	50um
Weight	0.7Kg
Material	Aluminum
Finish Treatment	Black Anodizing



JCRT - 100L  
东莞市诚鲲五金电子科技有限公司

Email:sales01@dck-gd.com



Model	JCRT-100R
Surface Size	Ø 100 mm
Position of Micrometer Head	Right
Travel Range	Coarse: Ø360° Fine: ±5°
Minimum Reading of Micrometer	10um
Guide Type	1°
Load Capacity	10.0Kgf
Parallelism	50um
Driving Parallelism	50um
Weight	0.7Kg
Material	Aluminum
Finish Treatment	Black Anodizing

JCRT - 100R

东莞市诚鲲五金电子科技有限公司