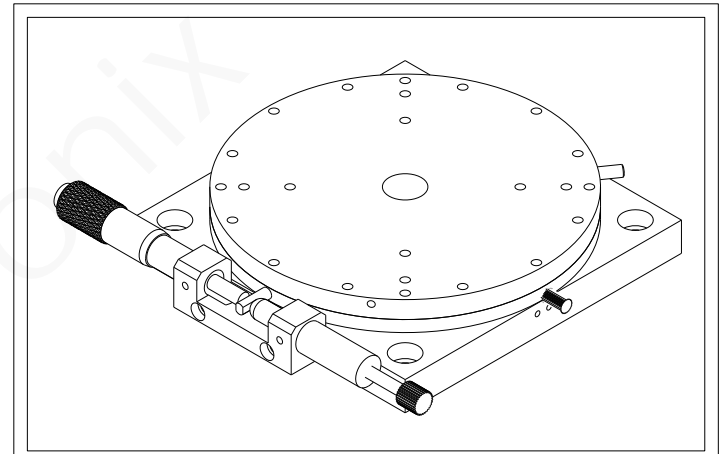
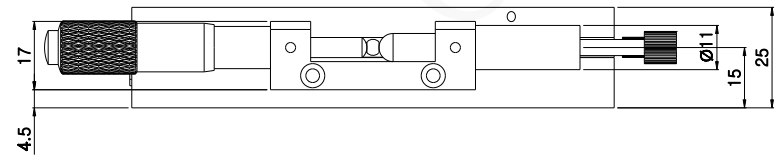
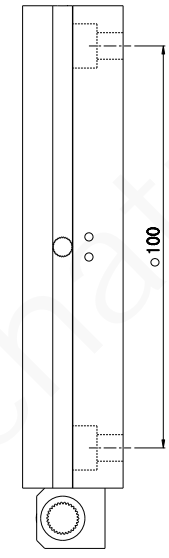
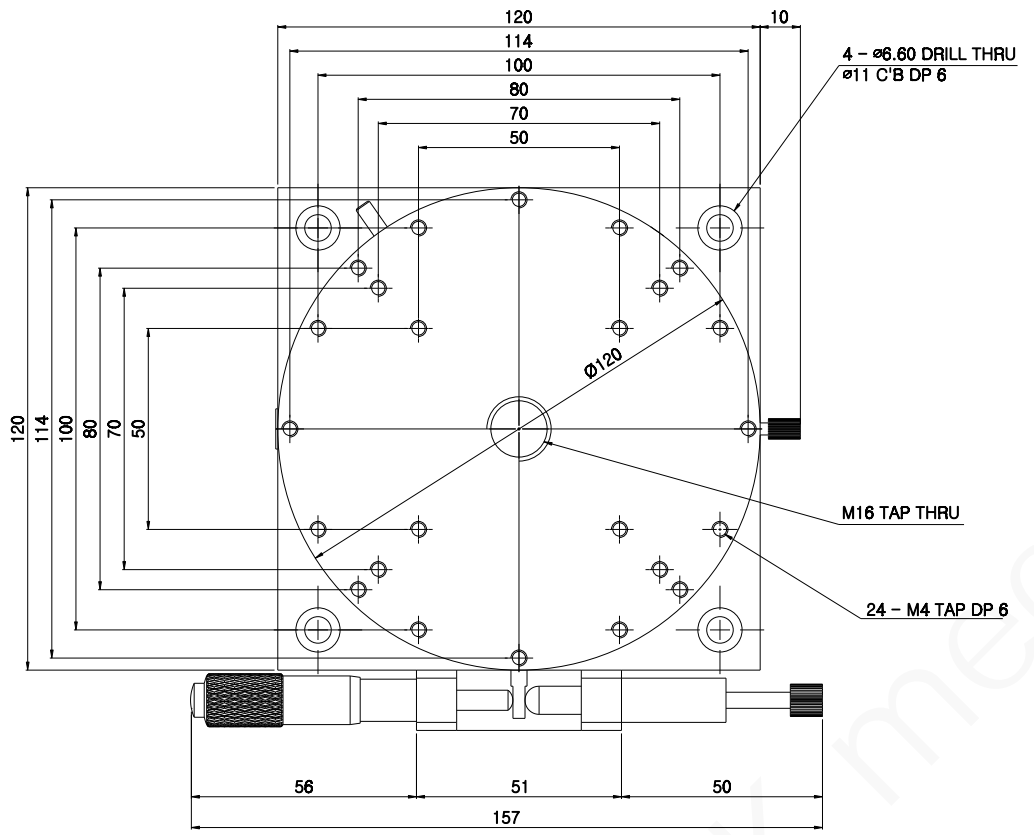


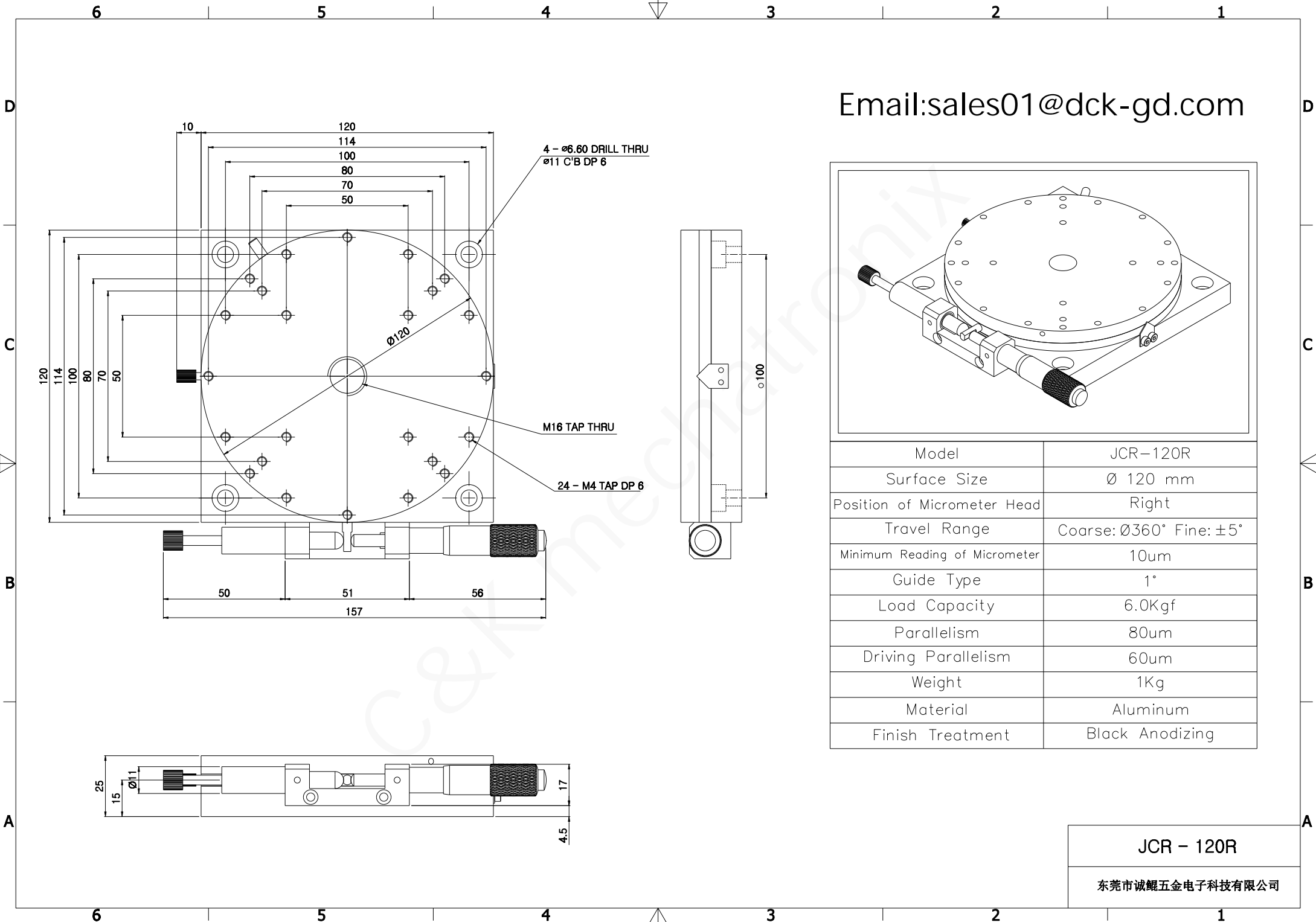
Email:sales01@dck-gd.com



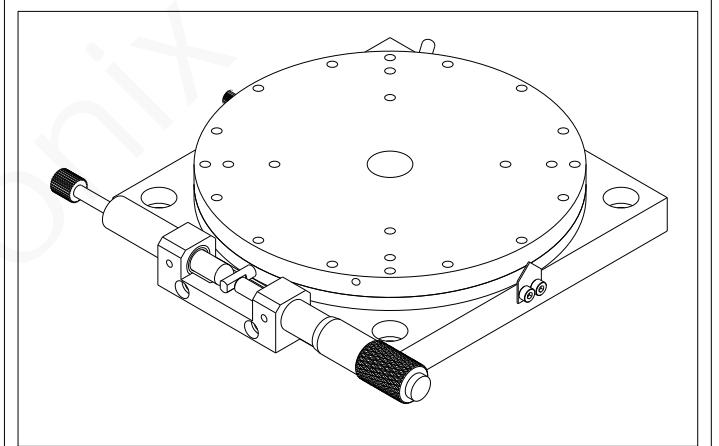
Model	JCR-120L
Surface Size	$\varnothing 120$ mm
Position of Micrometer Head	Left
Travel Range	Coarse: $\varnothing 360^\circ$ Fine: $\pm 5^\circ$
Minimum Reading of Micrometer	10um
Readable Resolution	1°
Load Capacity	6.0Kgf
Parallelism	80um
Rotational Concentricity	60um
Weight	1Kg
Material	Aluminum
Finish Treatment	Black Anodizing

JCR - 120L

东莞市诚鲲五金电子科技有限公司



Email:sales01@dck-gd.com



Model	JCR-120R
Surface Size	Ø 120 mm
Position of Micrometer Head	Right
Travel Range	Coarse: Ø360° Fine: ±5°
Minimum Reading of Micrometer	10um
Guide Type	1°
Load Capacity	6.0Kgf
Parallelism	80um
Driving Parallelism	60um
Weight	1Kg
Material	Aluminum
Finish Treatment	Black Anodizing

JCR - 120R

东莞市诚颯五金电子科技有限公司