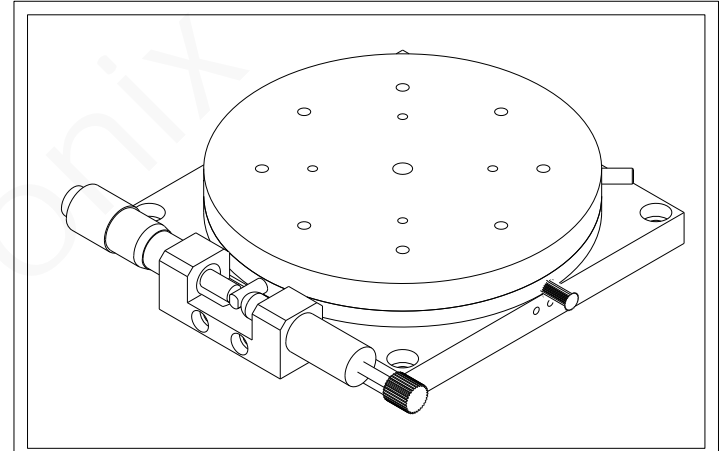
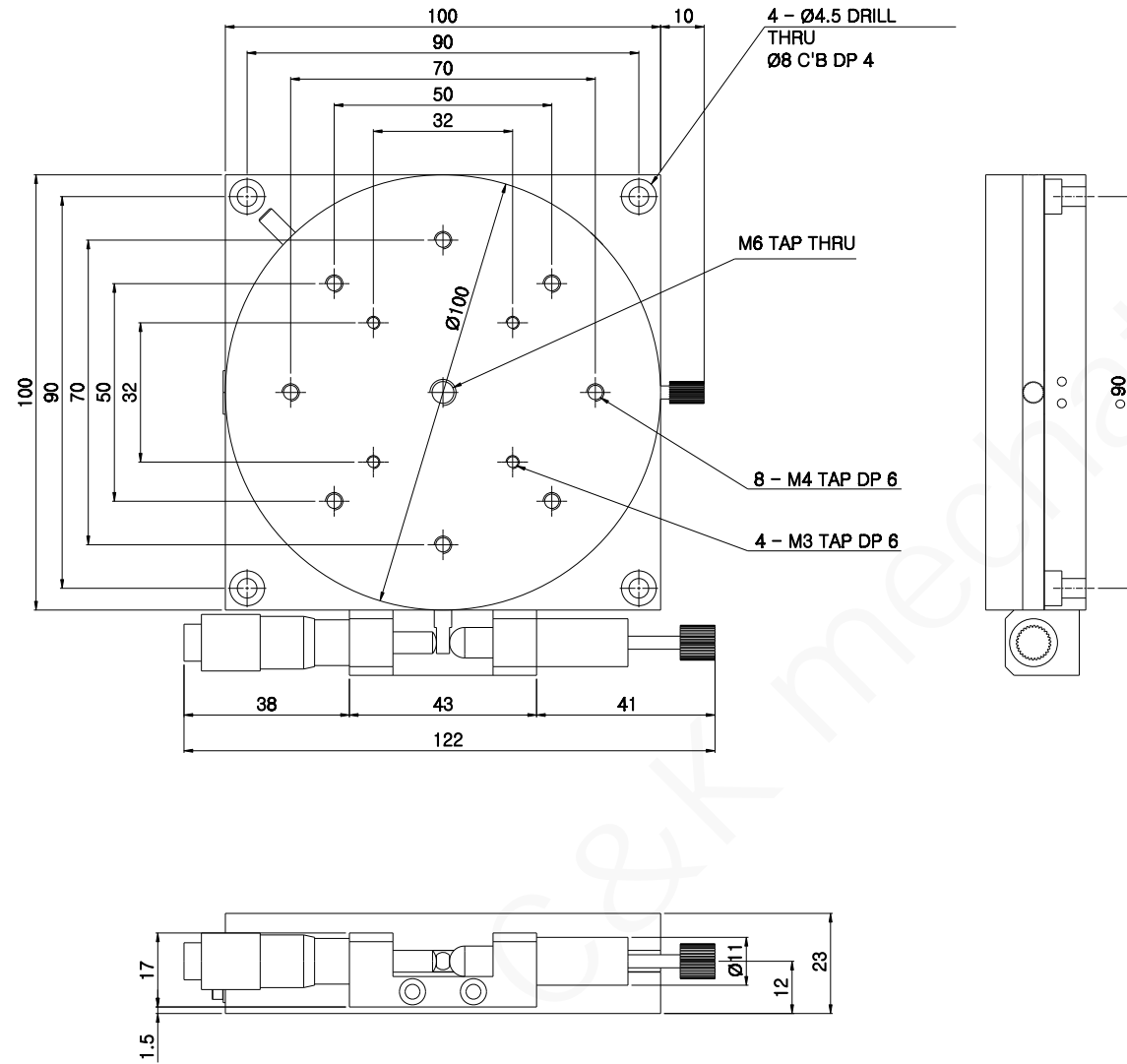


Email:sales01@dck-gd.com

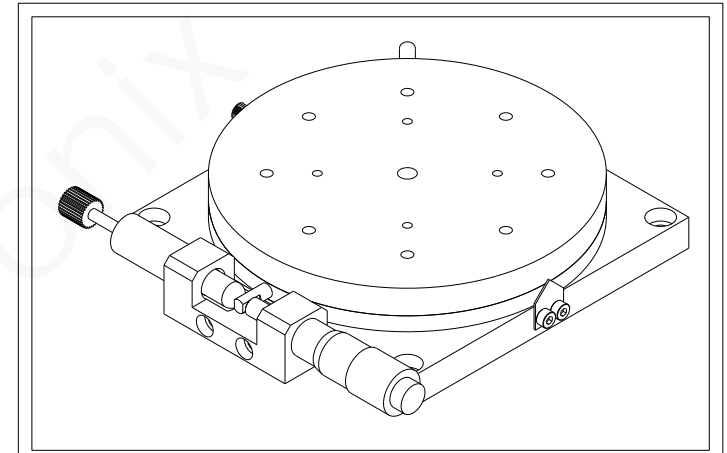
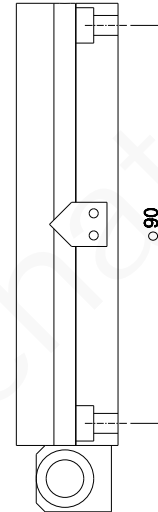
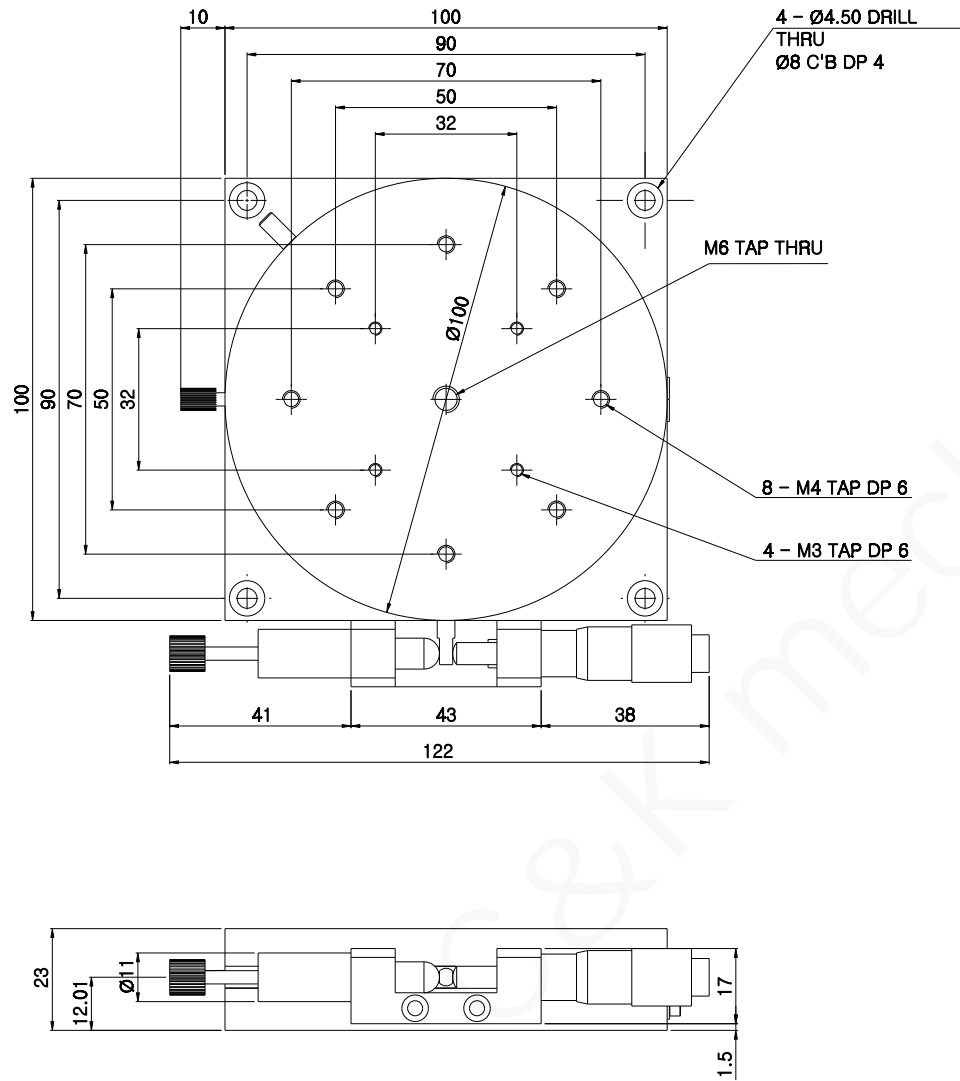


Model	JCR-100L
Surface Size	Ø 100 mm
Position of Micrometer Head	Left
Travel Range	Coarse: Ø360° Fine: ±5°
Minimum Reading of Micrometer	10um
Readable Resolution	1°
Load Capacity	5.0Kgf
Parallelism	60um
Rotational Concentricity	50um
Weight	0.8Kg
Material	Aluminum
Finish Treatment	Black Anodizing

JCR - 100L

东莞市诚鲲五金电子科技有限公司

Email:sales01@dck-gd.com



Model	JCR-100R
Surface Size	$\varnothing 100$ mm
Position of Micrometer Head	Right
Travel Range	Coarse: $\varnothing 360^\circ$ Fine: $\pm 5^\circ$
Minimum Reading of Micrometer	10um
Guide Type	1°
Load Capacity	5.0Kgf
Parallelism	60um
Driving Parallelism	50um
Weight	0.8Kg
Material	Aluminum
Finish Treatment	Black Anodizing

JCR - 100R

东莞市诚鲲五金电子科技有限公司