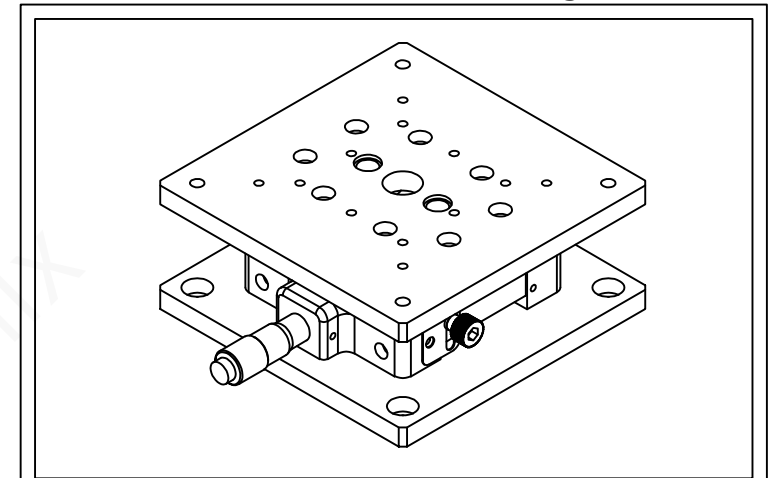
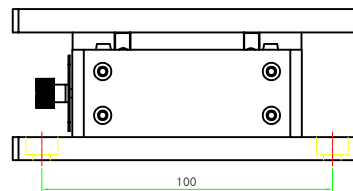
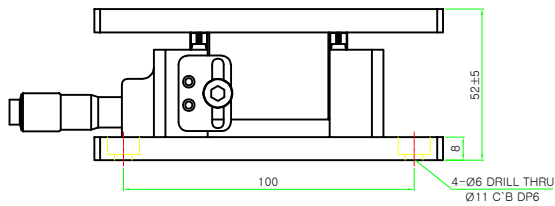
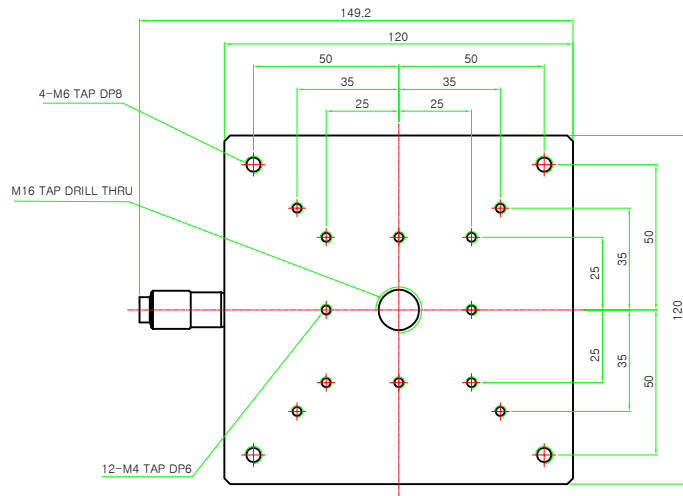


Email:sales01@dck-gd.com



Model	JCHZ-120
Surface Size	120x120mm
Position of Micrometer Head	Center
Travel Range	±5mm
Minimum Reading of Micrometer	10um
Guide Type	Crossed Roller Guide
Load Capacity	8Kgf
Parallelism	100um
Driving Parallelism	30um
Weight	1.2Kg
Material	Aluminum
Finish Treatment	Black Anodizing

JCHZ - 120

东莞市诚鲲五金电子科技有限公司