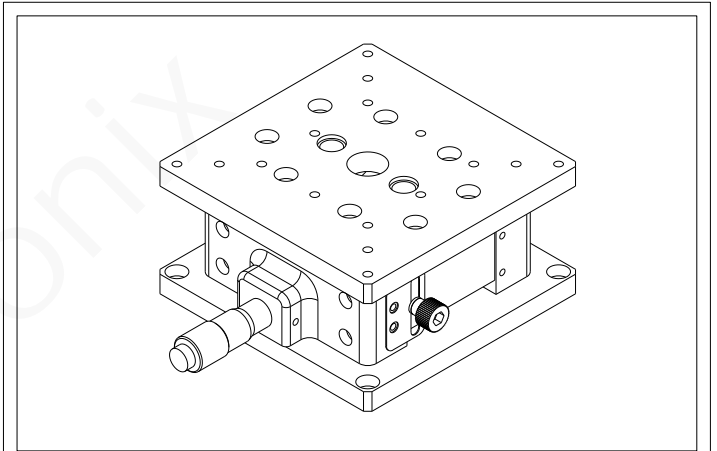
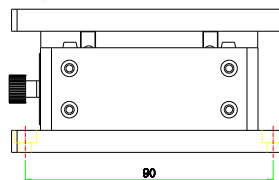
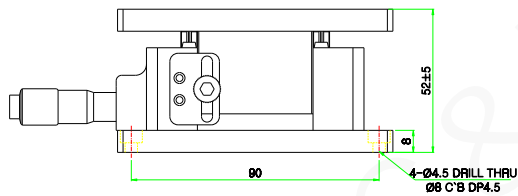
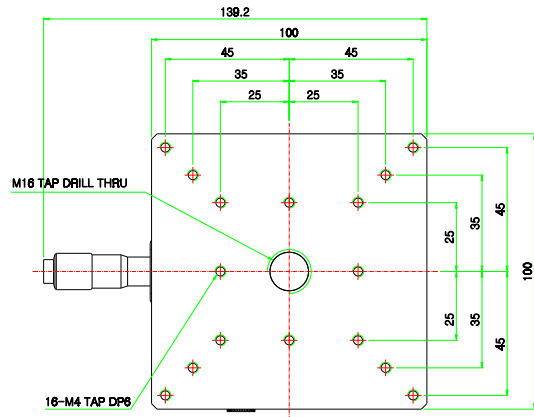


Email:sales01@dck-gd.com



Model	JCHZ-100
Surface Size	100x100mm
Position of Micrometer Head	Center
Travel Range	±5mm
Minimum Reading of Micrometer	10um
Guide Type	Crossed Roller Guide
Load Capacity	8Kgf
Parallelism	100um
Driving Parallelism	30um
Weight	1Kg
Material	Aluminum
Finish Treatment	Black Anodizing



JCHZ - 100

东莞市诚颯五金电子科技有限公司